

SUMMER WAVES® ACTIVE FRAME POOL

FOR ABOVE GROUND SWIMMING POOLS

8' - 24' (2.44 m - 7.32 m) models



READ AND KEEP THESE INSTRUCTIONS FOR FUTURE REFERENCE

For answers to common questions, setup videos and troubleshooting tips, please visit support.polygroupstore.com or call Customer Service: **1-888-919-0070**

DO NOT RETURN PRODUCT TO STORE

To order parts and accessories,
please visit www.polygroupstore.com

Should you encounter a problem with your Polygroup® Product, please DO NOT return the product to the place of purchase. All warranty claims must be made directly to Polygroup®. For any setup and troubleshooting issues, please visit support.polygroupstore.com. Customer Service: 1-888-919-0070. You may be asked to return all or part of the product for inspection and/or repair. Do not return any product to Polygroup® without a Return Merchandise Authorization number.

TABLE OF CONTENTS

Warnings	3 ~ 6
Parts list	7
Setup instructions	8 ~ 10
Pool maintenance & drainage	11
Pool storage & winterizing	12
Pool safety sign	12
Pool cover safety.....	13

LIMITED WARRANTY

Polygroup® Trading Limited, (hereinafter "Polygroup®") warrants to the original purchaser only, the Active Frame Pool against defects in material and workmanship for 90 days from the date of purchase. Original Purchaser must retain proof of such purchase in the form of an original store sales receipt and must produce such upon request by Polygroup® or its designated agents. Warranty claims cannot be processed without a valid proof of purchase. This Limited Warranty applies only to the original purchaser of the product and is limited solely to the repair or replacement of the product, to be decided in Polygroup®'s sole discretion.

Consequential damages, including claims for loss of water, pool chemicals, damage, or labor are not covered under this Limited Warranty. This Warranty will be declared invalid should the Purchaser modify or repair the product themselves or by unauthorized persons; use non-Polygroup® parts or accessories with the product; use the product in contravention of the manufacturer's Instructions; use improper voltage; abuse the product in any way; or through accident or negligence. Normal wear-and-tear is not covered under this Warranty, nor are acts of God outside the control of Polygroup®. Polygroup® will not be held responsible for grasses that may grow through the ground cloth and/or pool liner, as this is not a manufacturing defect.

IN NO EVENT SHALL Polygroup®, THEIR AUTHORIZED AGENTS, RELATED ENTITIES, OR EMPLOYEES BE LIABLE TO THE BUYER OR ANY OTHER PARTY FOR DIRECT OR CONSEQUENTIAL DAMAGES. Some states or countries, or other jurisdictions, do not allow the exclusion or limitation of incidental or consequential damages, so the above limitation or exclusion may not apply to you.

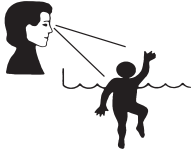
IMPORTANT SAFETY INSTRUCTIONS

When installing and using this product, basic safety precautions should always be followed, including the following:

READ AND FOLLOW ALL INFORMATION AND INSTRUCTIONS

Keep for future reference. Failure to follow these warnings and instructions can result in serious injury or death to users, especially children.

WARNING



DANGER

PREVENT DROWNING!

CLOSELY WATCH CHILDREN WHO ARE IN OR NEAR THIS POOL. CHILDREN UNDER 5 ARE AT HIGHEST RISK FOR DROWNING. EMPTY POOL OR PREVENT ACCESS WHEN NOT IN USE.

NO DIVING!
SHALLOW WATER!
YOU CAN BREAK
YOUR NECK AND BE
PARALYZED.

WARNING

**DO NOT SIT ON
OR LAY OVER
POOL WALL**

AVOID ENTRAPMENT!
STAY AWAY FROM DRAINS & SUCTION FITTINGS. YOUR HAIR, BODY & JEWELRY CAN GET SUCKED INTO DRAIN. YOU COULD BE HELD UNDER WATER & DROWN. DO NOT USE POOL IF DRAIN OR SUCTION OUTLET COVER IS MISSING OR BROKEN.



- Set up the pool only on **LEVEL, STABLE, and COMPACT** soil.
 - **DO NOT** set up the pool on sand surface.
 - Excessive sand inside the pool will **DAMAGE** the pool liner and filtration system.
- Failure to follow these instructions will void the warranty.

NOTICE: CUSTOMERS WHO PURCHASE POOLS MAY BE REQUIRED BY LOCAL OR STATE LAW TO INCUR ADDITIONAL EXPENSES WHEN INSTALLING A POOL, IN ORDER TO COMPLY WITH STATE OR LOCAL LAWS REGARDING FENCING AND OTHER SAFETY REQUIREMENTS. CUSTOMERS SHOULD CONTACT THEIR LOCAL BUILDING CODE ENFORCEMENT OFFICE FOR FURTHER DETAILS. POLYGROUP® IS NOT RESPONSIBLE FOR ANY ADDITIONAL EXPENSES THAT YOU MAY INCUR.

Safety Care for Children

Drowning Risk:

1. Assign an adult to be responsible for watching children in the pool. Give this person a "water watcher" tag and ask that they wear it the entire time they are in charge of supervising children in the pool. If they need to leave for any reason, ask this person to pass the "water watcher" tag and the supervision responsibility to another adult. **For replacement of the water watcher tag, please visit www.polygroupstore.com.**
2. Pool presents a drowning hazard even during filling and draining of the pool. Maintain constant supervision of children and do not remove any safety barriers until the pool is completely empty and stowed away.
3. Children, especially children younger than five years, are at high risk of drowning. Drowning occurs silently and quickly and can occur in as little as 2 in (5 cm) of water.
4. Keep children in your direct sight, stay close, and actively supervise them when they are in or near this pool and when you are filling and emptying this pool.
5. When searching for a missing child, check the pool first, even if child is thought to be in the house.
6. Do not leave toys inside pool when finished using, since toys and similar items might attract a child to the pool. Position furniture (for example, tables, chairs) away from pool, so that children cannot climb on it to gain access to the pool. After using pool, remove water to a level of ½ in (1 cm) or less.
7. Locate pumps and filters in such a way that children cannot climb on them and gain access to the pool.

Swimming Pool Barriers

Very Important:

1. Swimming pool barriers, which restrict access to the pool by small children, may be required by law. A barrier is necessary to provide protection against potential drowning and near drowning. Barriers are not a substitute for constant supervision of children.
2. Keep unsupervised children from accessing the pool by installing fencing or other approved barrier around all sides of pool. State or local laws or codes may require fencing or other approved barriers. Check state or local laws and codes before setting up pool.
3. See latest published edition of CPSC Pub. No. 362 found at www.poolsafely.gov.

Swimming Pool Equipment

1. The use of artificial pool lighting is at the discretion of the pool owner. Lighting, when installed, should be in accordance with Article 680 of the National Electrical Code (NEC) or its latest approved edition and in consultation with a licensed electrical professional.
2. Keep all electrical lines, radios, speakers, and other electrical appliances away from the pool.
3. Do not place pool near or under overhead electrical lines.
4. For swimming pools, fountains, and similar installations, and any state or local code, all electrical components installed in and/or adjacent to an above-ground/on-ground residential swimming pool shall be installed in accordance with and shall comply with the requirements of the latest published edition of NFPA 70, National Electrical Code (NEC®) Article 680. For more information, visit www.nfpa.org.

Swimming Pool Awareness

Warning :

1. **ADULT ASSEMBLY REQUIRED:** This pool may contain potentially hazardous sharp edges, sharp points, or small parts.
2. **Do not install the pool on a slope or inclined surfaces, on soft or loose soil conditions (such as sand or mud), or on an elevated surface such as a deck, platform or balcony. It may collapse under the weight of the filled pool.**
3. **TO AVOID DANGER OF SUFFOCATION:** Keep the plastic bag used in this product away from babies and children; do not use the bag in cribs, beds, carriage, or playpens. The plastic bag could block nose and mouth and prevent breathing. The plastic bag is not a toy.
4. If a drain or suction outlet cover is missing or broken, do not use the pool. Suction can cause body part entrapment, hair and jewelry entanglement, or drowning. Repair or replace the drain or suction outlet cover before using the pool again.
5. When using the pool at night, artificial lighting should be used to illuminate all safety signs, ladders, steps, deck surfaces, and pathways.
6. The floor of the pool shall be visible at all times from the outside perimeter of the pool.
7. Keep your pool clean and clear. The deepest part of pool must be visible at all times from outside of the pool.
8. Call for emergency if needed.
9. Basic lifesaving equipment, including one of the following, should be on hand at all times:
 - A light, strong, rigid pole (shepherd's crook) not less than twelve feet (12') [366 cm] long.
 - A minimum one-fourth inch ($\frac{1}{4}$ " [6.35 mm] diameter rope as long as one and one half ($1\frac{1}{2}$) times the maximum width of the pool or fifty feet (50') [15.24 meters], whichever is less, which has been firmly attached to a Coast Guard-approved ring buoy having an outside diameter of approximately fifteen inches (15") [38.1 cm], or similarly approved flotation device.
10. The pool is subject to wear and deterioration. If not maintained properly, certain types of excessive or accelerated deterioration can lead to a failure of the pool structure that might release large quantities of water that could cause bodily harm and property damage.
11. Never allow horseplay, diving, or jumping into or around the pool. This could lead to serious injury, paralysis or death.
DO NOT ALLOW anyone to swim alone without supervision.
12. Pool shall be located at a minimum distance of 6ft (1.83m) from any receptacle, and all 125-volt 15- and 20-ampere receptacles located within 20ft (6.0m) of the pool shall be protected by a ground fault circuit interrupter (GFCI), where distances are by measuring the shortest path the supply cord of an appliance connected to the receptacle would follow, without piercing a floor, wall, ceiling, doorway with hinged or sliding door, window opening, or other effective permanent barrier, to the inside wall of the pool.

Circulation Systems

1. Follow the instructions regarding positioning of all equipment connected to the circulation systems and operating the components.
2. Circulation equipment should be installed per manufacturer's instructions to provide proper mounting and support, to prevent damage from misalignment, settlement, and vibration, and to minimize the potential for the accumulation of debris and moisture. Please refer to pump's instruction manual.
3. Replacement pump should never exceed the maximum flow rate marked on the suction fitting.

Ladder

1. The ladder should be located on a solid base and is to be installed per the manufacturer's instructions.
2. One person on the ladder at a time.
3. The ladder should be designed and manufactured for a specific pool wall height.
4. For entry/exit of pool, face the ladder at all times.
5. To prevent entrapment or drowning do not swim through, behind, or around ladder.
6. Remove and secure ladder when pool is not occupied.

Pool Cover

Pool covers used for safety barriers shall comply with the latest published edition of ASTM F-1346, Standard performance specifications for safety covers and labeling requirements for all covers for swimming pools, spas, and hot tubs.

Chemicals

For safety sake, ensure the deepest part of the pool is always visible. The user must properly maintain pool water clarity at all times. Check the pH and chlorine levels periodically, and make sure they are within the recommended limits. Additional water treatment chemicals might be needed from time to time. Have the water sample tested by a local pool supply store to determine if additional chemicals are needed. Turn on the pump for the recommended hours daily. If you are unsure of the time frames please refer to support.polygroupstore.com for the recommended Pump Operation Hours based on pool types and sizes. Clean and replace filter cartridge frequently. Replace only with genuine Polygroup® / Summer Waves® Brand filter cartridge. Refer to the Filter Pump manual for additional water care information.

Entrapment Risk

1. Entrapment Avoidance: There shall be no protrusions or obstruction in the swimming area, which may cause entrapment or entanglement of the user. If a suction outlet cover is missing or broken, do not use the pool. Suction can cause body part entrapment, hair and jewelry entanglement, evisceration, or drowning. Repair or replace the suction outlet cover before allowing the pool to be used.
2. Never play or swim near drains or suction fittings. Your body or hair may be trapped, causing permanent injury or drowning.

Drowning Risk

1. Keep unsupervised children from accessing the pool by installing fencing or other approved barrier around all sides of pool. State or local laws or codes may require fencing or other approved barriers. Check state or local laws and codes before setting up pool.
2. Remove pool ladders before leaving the pool.
3. Toys, chairs, tables, or similar objects that a young child could climb should be at least four feet (4') [121.92 cm] from the pool. The pump filter system should be positioned so as to prevent it from being used as a means of access to the pool by young children.

Diving Risk

1. Above-ground/on-ground residential swimming pools are for swimming and wading only. No diving boards, slides, or other equipment are to be added to an above-ground/on-ground pool.
2. Do not dive into this pool. Diving into shallow water can result in a broken neck, paralysis, or death.

Electrocution Risk

1. Keep all electrical lines, radios, speakers, and other electrical appliances away from the pool.
2. Do not place pool near or under overhead electrical lines.

First Aid

1. Keep a working phone and a list of emergency numbers near the pool.
2. Become certified in cardiopulmonary resuscitation (CPR). In the event of an emergency, immediate use of CPR can make a lifesaving difference.

Special Warning

1. Local building codes may require obtaining a building or electrical permit. Installer shall follow regulations on setback, barriers, devices, and other conditions.
2. Safety signs shall comply with requirements of ANSI-Z535 and use signal wording.
3. DO NOT attempt to assemble this pool in adverse weather conditions, windy conditions, or when the temperature is below 60°F.
4. This is a storable pool, which should be disassembled and stored when temperatures are expected to fall below 32°F.
5. Ensure that all pools and their related components that are installed in an indoor environment should comply with the ventilation requirements of ANSI/ASHRAE 62 or the latest published edition of Ventilation for acceptable indoor air quality, Table 2, Article 2.1.
6. The placement of the pool and portable pools shall be set up so that they comply with local safety and building codes.

Extra Safety Warning

1. When you touch the filter, pump, or electrical parts, be sure the ground under your feet is "Bone Dry."
2. Connect power cords to a 3-wire grounding-type outlet only.
3. Keep all breakable objects out of the pool area.
4. Alcohol consumption and pool activities do not mix. Never allow anyone to swim, dive, or slide while under the influence of alcohol or drugs.
5. Severe electrical shock could result if you install your filter pump on a deck. The pump or filter could fall into the water, causing severe shock or electrocution.
6. Do not allow roughhousing and horseplay.
7. Do not engage in extended breath holding activities underwater; you may black out and drown.
8. Install a pool ladder(s) or staircase for entry and exit from the pool.
9. Check regularly for signs of wear on the liner or any loose parts that could make the pool unsafe.
10. Instruct pool users about the proper use of all pool ladder(s) and staircases.
11. Check all nuts and bolts regularly to ensure that the ladder stays sturdy.
12. Please contact pool site dealer or manufacturer for additional safety signs if deemed necessary.
13. For pool service, select a certified pool professional. For additional safety information, see www.APSP.org

Consumer Awareness Booklets and Information Source

CONTACT: U.S. Consumer Product Safety Commission at www.cpsc.gov/safety-education/safety-guides/pools-and-spas, Pub. #362 "Safety Barrier Guidelines for Home Pools."

1. The Sensible Way to Enjoy Your Aboveground/Onground Swimming Pool.
2. Children Aren't Waterproof.
3. Layers of Protection.
4. Pool and Spa Emergency Procedures for Infants and Children.
5. Be Safety Aware Copies of the above brochures are available free from the APSP. Go to: www.APSP.org

Safety Education Programs and Materials

Educational programs and materials (i.e., seminars, workshops, brochures, videos, instructional guides) are available from the APSP, other aquatic safety groups, and by private firms. As a means of communicating useful safety information to pool owners/operators and users, industry members are permitted to provide such information to owners/operators and to request or require owners/operators to sign a statement that they have received, read, and will follow the guidelines.

Other sources of safety information:

- www.cdc.gov
- www.cpsc.gov
- www.drowningpreventionalliance.com
- www.nspf.org
- www.safekids.org

NSF NSF International

P.O. Box 130140
789 N. Dixboro Road
Ann Arbor MI 481105
Contact: 800-673-6275 or 734-769-8010
www.nsf.org

ANSI American National Standards Institute

25 West 43rd Street, New York NY 10036
Contact: 212-642-4900
www.ansi.org

ASTM ASTM International (formerly American Society of Testing & Materials)

100 Barr Harbor Drive, P.O. Box C700 West Conshohocken, PA 19428-2959
Contact: 877-909-2786 (USA & CANADA) or 610-832-9585 (International)
www.astm.org

APSP Association of Pool & Spa Professionals

(formerly National Spa and Pool Institute)
2111 Eisenhower Avenue, Ste. 500
Alexandria VA 22314-4679
Contact: 703-838-0083
www.apsp.org

NEC National Electrical Code (see NFPA)

NFPA National Fire Protection Association
1 Batterymarch Park, Quincy MA 02169-7471
Contact: 800-344-3555 (U.S. & CANADA) or 617-770-3000 (International)
www.nfpa.org

NSPI National Spa and Pool Institute (see APSP)

UL Underwriters Laboratories

333 Pfingsten Road, Northbrook IL 60062-2096
Contact: 877-854-3577 or 847-272-8800
www.ul.com

ASME American Society of Mechanical Engineers

Two Park Avenue, New York NY 10016-5990
Contact: 800-843-2763 (U.S. & CANADA) or 973-882-1170 (Outside N. America)
www.asme.org

Filtration Systems

Any equipment connected to the circulation systems shall be positioned so as to prevent their being used as a means of access to the pool by young children. (See the latest published edition of ANSI/APSP-8 Model Barrier Code for Residential Swimming Pools, Spas, and Hot Tubs.)

Barrier

Barrier is necessary to provide protection against potential drowning and near drowning, and barriers are not a substitute for the constant supervision of children. (See latest published edition of ANSI/APSP-8 Model Barrier Code for Residential Swimming Pools, Spas, and Hot Tubs.)


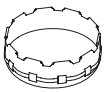
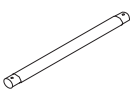

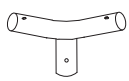
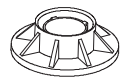
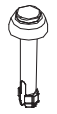

Risk of Drowning, Entrapment, and Diving Accidents

Publications are available that describe the risk of drowning, entrapment, and diving accidents. Available publications related to pool safety include the Association of Pool and Spa Professionals' (APSP) booklets entitled: The Sensible Way to Enjoy Your Above-ground/On-ground Swimming Pool, Children Aren't Waterproof, Pool and Spa Emergency Procedures for Infants and Children, Layers of Protection, and the latest published edition of ANSI/APSP-8 Model Barrier Code for Residential Swimming Pools, Spas, and Hot Tubs.

Installer Responsibilities

All of these components shall be positioned so as to prevent their being used as a means of access to the pool by young children. All safety signs shall be affixed above the water line according to manufacturer's instructions. (See the latest published edition of ANSI/APSP-8 Model Barrier Code for Residential Swimming Pools, Spas, and Hot Tubs.)

PARTS LIST

																								
Active Frame Pool	Pool Liner			Horizontal Beam			Vertical Leg			T-Fitting			Leg Cap			Pin & Grommet (with 2 extra)			Pre-installed V-Shaped Spring Pin (with 1 extra)					
Pool Size	Part #			Qty.	Part #			Qty.	Part #			Qty.	Part #			Qty.	Part #			Qty.	Part #			Qty.
08'x20" (244x51) cm	P20008200099	P20008201099	P20008204099	1	P5A1A0001W01	8	P5A2A0018W01	8	P5A3A0000W01	8	P5APF1450K01	8	P5A149144W02	18	P5APF121BW01	9								
08'x26" (244x66) cm	P20008260099	P20008261099	P20008264099				P5A2A0000W01																	
08'x30" (244x76) cm	P20008300099	P20008301099	P20008304099	1	P5A1A0001W01	8	P5A2A0001W01	8	P5A3A0000E0K	8	P5APF1450CN	8	P5A149144W02	18	P5APF121BW01	9								
08'x30" (244x76) cm	P2A008300099	P2A008301099	P2A008304099				P5A1A0001E0K						P5A2A0001E0K		P5A3A0000E0K		P5APF14507CN	P5A1491447CN	P5APF121B7CN					
08'x30" (244x76) cm	P2N008300099	P2N008301099	P2N008304099				P5A1A0001E0N						P5A2A0001E0N		P5A3A0000E0N		P5APF14508UN	P5A1491448UN	P5APF121B8UN					
10'x30" (305x76) cm	P20010300099	P20010304099	P20010301099	1	P5A1A0001W01	10	P5A2A0001W01	10	P5A3A0001W01	10	P5APF1450K01	10	P5A149144W02	22	P5APF121BW01	11								
10'x30" (305x76) cm	P20010306099	P20010300D99	P2A010304099				P5A1A0001E0K						P5A2A0001E0K		P5A3A0001E0K		P5APF14507CN	P5A1491447CN	P5APF121B7CN					
10'x30" (305x76) cm	P2N010300099	P20010308099	P2N010304099				P5A1A0001E0N						P5A2A0001E0N		P5A3A0001E0N		P5APF14508UN	P5A1491448UN	P5APF121B8UN					
10'x42" (305x107) cm	P20010420099	P20010421099	P20010424099				P5A1A0001W01						P5A2A0014W01		P5A3A0001W01		P5APF1450K01	P5A149144W02	P5APF121BW01					
11'x30" (335x76) cm	P20011300099	P20011301099	P20011304099	1	P5A1A0001W01	11	P5A2A0001W01	11	P5A3A0002W01	11	P5APF1450K01	11	P5A149144W02	24	P5APF121BW01	12								
12'x30" (366x76) cm	P20012300099	P20012301099	P20012304099	1	P5A1A0001W01	12	P5A2A0001W01	12	P5A3A0003W01	12	P5APF1450K01	12	P5A149144W02	26	P5APF121BW01	13								
12'x30" (366x76) cm	P2A012300099	P20012305099	P2A012304099				P5A1A0001E0K						P5A2A0001E0K		P5A3A0003E0K		P5APF14507CN	P5A1491447CN	P5APF121B7CN					
12'x33" (366x84) cm	P20012330099	P20012331099	P20012334099				P5A1A0001W01						P5A2A0012W01		P5A3A0003W01		P5APF1450K01	P5A149144W02	P5APF121BW01					
12'x33" (366x84) cm	P2A012330099	P20012335099	P2A012334099				P5A1A0001E0K						P5A2A0012E0K		P5A3A0003E0K		P5APF04907CN	P5A1201447CN	P5APF121A7CN					
12'x33" (366x84) cm	P2N012330099	P20012336099	P2N012334099				P5A1A0001E0N						P5A2A0012E0N		P5A3A0003E0N		P5APF04908UN	P5A1201448UN	P5APF121A8UN					
12'x36" (366x91) cm	P20012360099	P20012361099	P20012364099				P5A1A0002W01						P5A2A0002W01		P5A3A0003W01		P5APF1450K01	P5A149144W02	P5APF121BW01					
12'x39" (366x99) cm	P20012390099	P20012391099	P20012394099	1	P5A1A0001W01	12	P5A2A0003W01	12	P5A3A0003W01	12	P5APF1450K01	12	P5A149144W02	26	P5APF121BW01	13								
12'x48" (366x122) cm	P20012480099	P20012481099	P20012484099	1	P5A1A0002W01	12	P5A2A0008W01	12	P5A3A0004W01	12	P5APF0490K01	12	P5A120144W01	26	P5APF121AW01	13								
12'x48" (366x122) cm	P2A012480099	P2A012481099	P2A012484099				P5A1A0002E0K						P5A2A0008E0K		P5A3A0004E0K		P5APF04907CN	P5A1201447CN	P5APF121A7CN					
12'x48" (366x122) cm	P2N012480099	P2N012481099	P2N012484099				P5A1A0002E0N						P5A2A0008E0N		P5A3A0004E0N		P5APF04908UN	P5A1201448UN	P5APF121A8UN					
12'x52" (366x132) cm	P20012520099	P20012521099	P20012524099				P5A1A0002W01						P5A2A0009W01		P5A3A0004W01		P5APF0490K01	P5A120144W01	P5APF121AW01					
13'x30" (396x76) cm	P20013300099	P20013301099	P20013304099	1	P5A1A0001W01	13	P5A2A0001W01	13	P5A3A0001W01	13	P5APF1450K01	13	P5A149144W02	28	P5APF121BW01	14								
13'x33" (396x84) cm	P20013330099	P20013331099	P20013334099				P5A2A0012W01						P5A3A00012W01											
13'x39" (396x99) cm	P20013390099	P20013391099	P20013394099				P5A2A0003W01						P5A3A00013W01											
13'x52" (396x132) cm	P20013520099	P20013521099	P20013524099	1	P5A1A0002W01	13	P5A2A0009W01	13	P5A3A00013W01	13	P5APF0490K01	13	P5A120144W01	28	P5APF121AW01	14								
14'x36" (427x91) cm	P20014360099	P20014361099	P20014364099	1	P5A1A0002W01	14	P5A2A0004W01	14	P5A3A0002W01	14	P5APF0490K01	14	P5A120144W01	30	P5APF121AW01	15								
14'x36" (427x91) cm	P2Q014360099	P2Q014361099	P2Q014364099				P5A1A0002E0N						P5A2A0004E0N		P5A3A0002E0N		P5APF04908UN	P5A1201448UN	P5APF121A8UN					
14'x42" (427x107) cm	P20014420099	P20014421099	P20014424099				P5A1A0002W01						P5A2A0005W01		P5A3A0002W01		P5APF0490K01	P5A120144W01	P5APF121AW01					
14'x48" (427x122) cm	--	P20014485099	--				P5A1A0002E0K						P5A2A0005E0K		P5A3A0002E0K		P5APF04907CN	P5A1201447CN	P5APF121A7CN					
14'x48" (427x122) cm	--	P20014486099	--				P5A1A0002E0N						P5A2A0005E0N		P5A3A0002E0N		P5APF04908UN	P5A1201448UN	P5APF121A8UN					
14'x52" (427x132) cm	P20014520099	P20014521099	P20014524099				P5A1A0002W01						P5A2A0009W01		P5A3A0002W01		P5APF0490K01	P5A120144W01	P5APF121AW01					
15'x33" (457x84) cm	P20015330099	P20015331099	P20015334099	1	P5A1A0002W01	15	P5A2A0016W01	15	P5A3A0005W01	15	P5APF0490K01	15	P5A120144W01	32	P5APF121AW01	16								
15'x36" (457x91) cm	P20015360099	P20015361099	P20015364099				P5A2A0004W01						P5A2A0005W01											
15'x42" (457x107) cm	P20015420099	P20015421099	P20015424099				P5A2A0005W01						P5A2A0008W01											
15'x48" (457x122) cm	P20015480099	P20015481099	P20015484099				P5A2A0008W01						P5A2A0009W01											
15'x52" (457x132) cm	P20015520099	P20015521099	P20015524099				P5A2A0009W01																	
16'x42" (488x107) cm	P20016420099	P20016421099	P20016424099	1	P5A1A0002W01	16	P5A2A0005W01	16	P5A3A0006W01	16	P5APF0490K01	16	P5A120144W01	34	P5APF121AW01	17								
16'x48" (488x122) cm	P20016480099	P20016481099	P20016484099				P5A2A0008W01																	
16'x52" (488x132) cm	P20016520099	P20016521099	P20016524099				P5A2A0009W01																	
17'x48" (518x122) cm	P20017480099	P20017481099	P20017484099	1	P5A1A0002W01	17	P5A2A0008W01	17	P5A3A0007W01	17	P5APF0490K01	17	P5A120144W01	36	P5APF121AW01	18								
17'x52" (518x132) cm	P20017520099	P20017521099	P20017524099				P5A2A0009W01																	
18'x42" (549x107) cm	P20018420099	P20018421099	P20018424099	1	P5A1A0002W01	18	P5A2A0005W01	18	P5A3A0008W01	18	P5APF0490K01	18	P5A120144W01	38	P5APF121AW01	19								
18'x48" (549x122) cm	P20018480099	P20018481099	P20018484099				P5A2A0008W01																	
18'x52" (549x132) cm	P20018520099	P20018521099	P20018524099				P5A2A0009W01																	
20'x48" (610x122) cm	P20020480099	P20020481099	P20020484099	1	P5A1A0002W01	20	P5A2A0008W01	20	P5A3A0009W01	20	P5APF0490K01	20	P5A120144W01	42	P5APF121AW01	21								
24'x52" (732x132) cm	P20024520099 (CP2000)	P20024521099	P20024520099	1	P5A1A0002W01	24	P5A2A0009W01	24	P5A3A0011W02	24	P5APF0490K01	24	P5A120144W01	50	P5APF121AW01	25								

SETUP INSTRUCTIONS

Before assembling your product, please take a few minutes to check the contents and become familiar with all the parts.

WARNING - DO NOT overfill the pool and / or allow people to lay over or sit on pool wall - DOING SO CAN CAUSE PERMANENT INJURY!
DRAIN pool to the proper level after a heavy rain.

TIP: It will be much easier to install your pool if you unfold it and let it lay in direct sunlight for about 2 hours prior to installation. This will help to ensure a wrinkle-free fit because the pool material will be more pliable allowing it to form into shape during installation.

WARNING - VERY IMPORTANT! SITE MUST BE LEVEL, STABLE, COMPACTED SOIL.

- The pool must be assembled on a smooth and level site of firm soil that is free of stones, gravel, sticks, blacktop, or other oil base compounds.
- Before setting up your pool, it is recommended that you clear the area of hardy grasses. Certain types of vigorous grasses such as St. Augustine and Bermuda can grow through the liner. A ground cloth or tarp may be helpful in preventing this from occurring. Grass growing through the liner is not covered under warranty.
- Do not install pool on a wooden deck or any type of wooden surface. You cannot use sand and/or uncompacted soil to provide a level surface for this pool; it will only wash out.
- FAILURE TO FOLLOW ALL OF THESE INSTRUCTIONS WILL CAUSE POOL TO COLLAPSE AND WILL VOID THE WARRANTY!

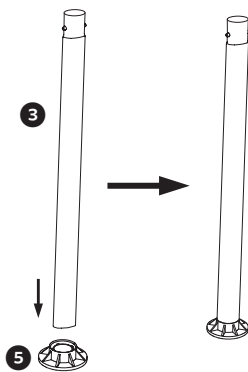
Site Preparation

1. Select a level area, and completely remove all debris, twigs, stones, etc. DO NOT select an area under overhead electrical lines, trees, or within 15 feet of a house, building, etc.
2. The pool shall be located a minimum distance of 6ft (1.83m) from any electrical receptacle.
3. All 125 volt, 15 and 20 ampere receptacles located within 20ft (6.0m) of the pool shall be protected by a ground fault circuit interrupter (GFCI).
The 20ft (6m) distance is measured via the shortest straight line distance the supply cord would follow without piercing a floor, wall, ceiling, doorway, window, or other permanent barrier.
4. Contact your local utilities, checking that no underground cables, telephone lines, gas lines, etc. run beneath the area you have selected.

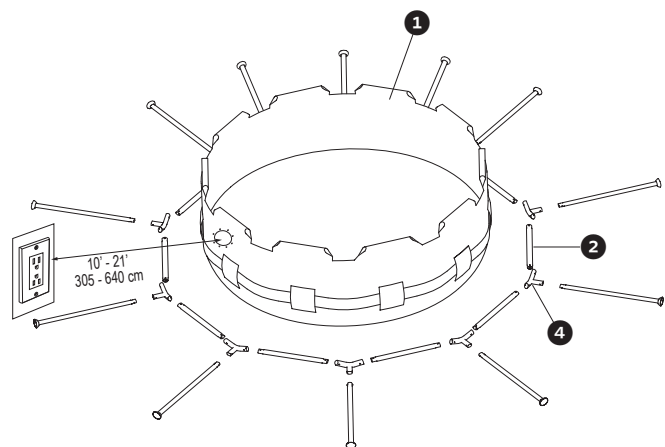
Setup Instructions

1. Locate a level and flat area to set up the pool. Make sure the ground is free from sharp objects as they may puncture the pool.
2. Carefully unfold the pool liner in the area selected and inspect the seams for manufacturing defects.
3. It is recommended to let the pool sit out in direct sunlight for about 2 hours prior to installation (see TIP above).
4. LIFT the pool liner across the ground. DO NOT drag the liner from one location to another.
5. Locate the pool so that the pump openings are 10 to 21 feet away from the electrical outlet.

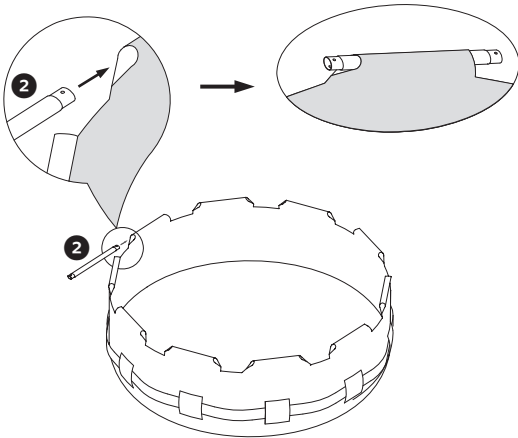
6. Insert the Vertical Legs **3** into the Leg Caps **5**.



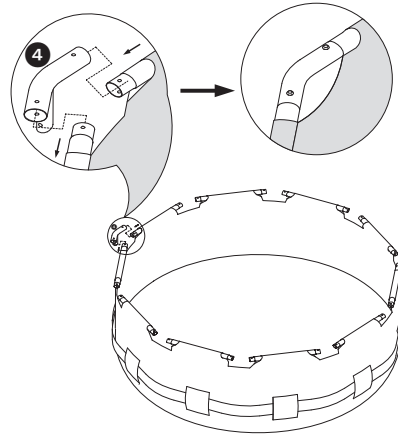
7. Lay all parts on the ground as shown below.



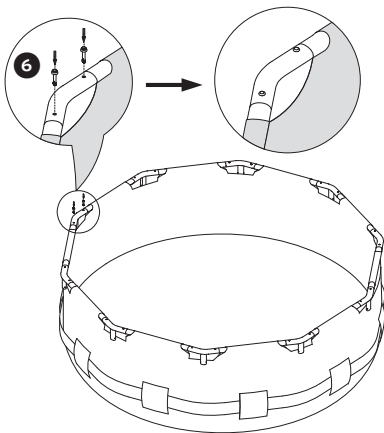
8. Carefully slide the Horizontal Beams **2** into the sleeves of the pool.



9. Connect all of the T-Fittings **4** to the Horizontal Beams **2**.
IMPORTANT: DO NOT go on to the next step until all of the T-Fittings have been connected to all of the Horizontal Beams.

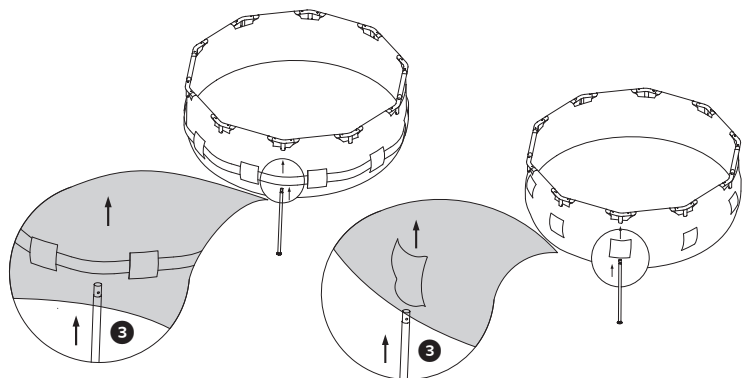


10. Insert the Pins **6** down through the top of the T-Fittings until the Pins snap into place on the lower side of the T-fitting.



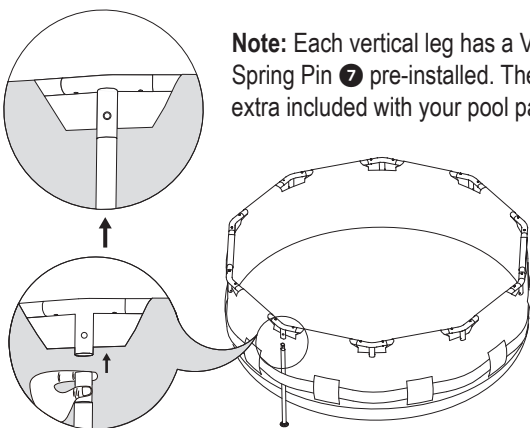
11. Carefully slide the Vertical Legs **3** up through the belt that runs around the middle of the pool.

Tips: For smaller pools without a belt, slide the vertical legs up through the sleeves on the pool wall.

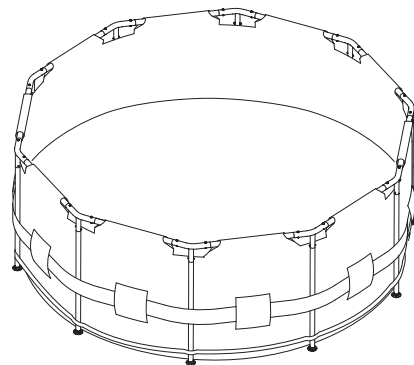


12. Look through the hole in the T-fitting, as you insert the Vertical Leg rotate it until the buttons align with the holes and pop out, locking the Vertical Leg in place. Do this for all Vertical Legs.

Note: Each vertical leg has a V-Shaped Spring Pin **7** pre-installed. There is one extra included with your pool parts.



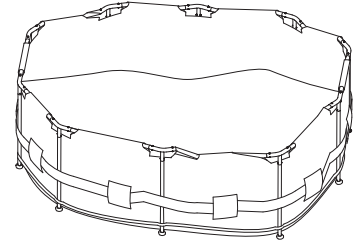
13. Go around and check that all fittings, legs, and beams are properly installed and secured in place. Make sure the drain fitting is plugged securely and the cap is in place.



14. Fill up the pool with about an inch (1") [2.54cm] of water. Stop filling and smooth out all wrinkles from the pool floor, working outwards from the center, so that it fills evenly.
Note: If more than one to two inches (1"-2") [2.54cm-5.08cm] of water collects on any one side before the pool starts filling in the center, the pool is not level enough, and must be corrected.
15. Install the filtration system as per its instruction manual.
16. Continue to fill the pool to approximately eight inches (8") [20.32cm] below the top rim.

NOT FOLLOWING THE STEPS ABOVE WILL MAKE THE POOL FILL UNEVENLY AND THE POOL MAY LEAN TO ONE SIDE AND COLLAPSE (SEE PICTURE). YOUR POOL SHOULD BE STRAIGHT AND VERTICAL TO THE GROUND. IF YOUR POOL IS LEANING AT ALL, THE GROUND MAY NOT BE LEVEL AND YOU WILL NEED TO START OVER.

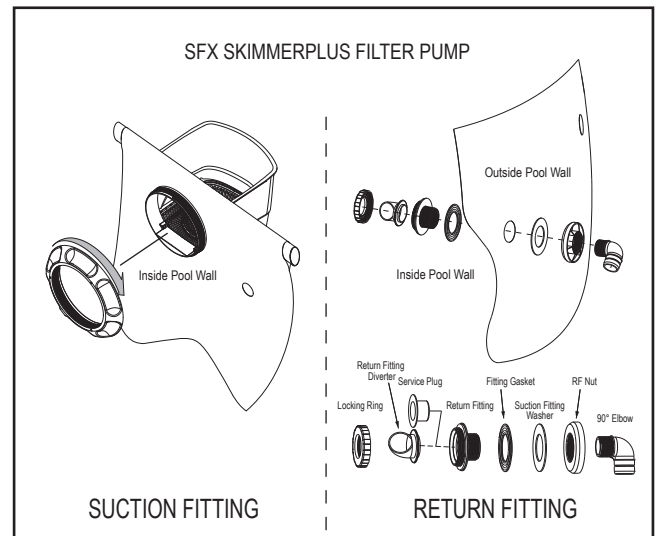
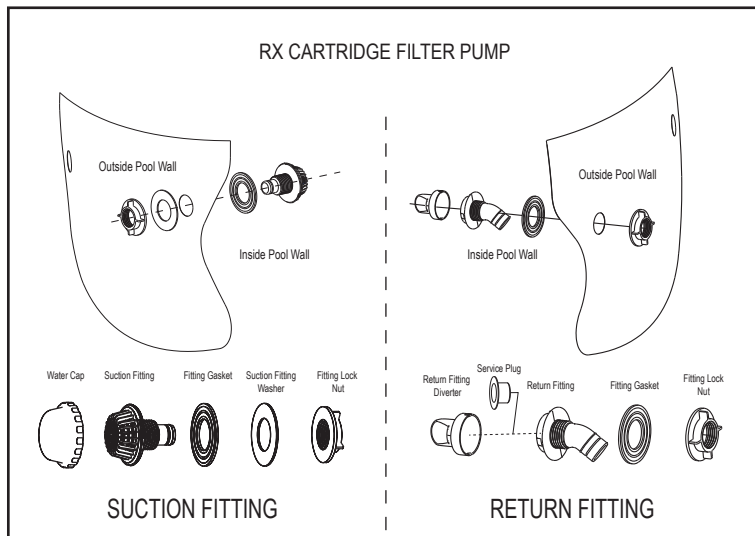
FAILURE TO FOLLOW THE INSTRUCTIONS ABOVE WILL CAUSE POOL TO COLLAPSE AND WILL VOID THE WARRANTY!



IMPORTANT: BEFORE ADDING WATER TO YOUR POOL YOU MUST INSTALL THE POOL WALL FITTINGS OR ENTIRE FILTRATION SYSTEM FIRST. BEFORE ADDING WATER TO YOUR POOL FOLLOW THE INSTRUCTIONS BELOW.

If your pool included openings or you are going to purchase a filter pump system, position the Suction & Return fitting locations so they are 10 to 21 feet from the electrical outlet you plan to use for the pool pump.

If your pool came with Fittings - Install both the Suction and Return fittings to the pool wall before filling the pool.



NOTE: For Sand Filter Pump / Cartridge Filter Pump CP2000-C, please follow the Sand Filter Pump / Cartridge Filter Pump CP2000-C owner's manual to set up the fitting. Please check the water pump's instruction manual for more instructions.

Please Note: The Black Rubber gasket (Fitting Gasket) should always be slid over the threaded plastic suction or return fitting and be on the inside before the fitting is placed through the pool wall to make a watertight connection.

Make sure to put on both the Water Cap and the Service Plug while you fill your pool, or until you are ready to add a filtration system.

POOL MAINTENANCE & DRAINAGE

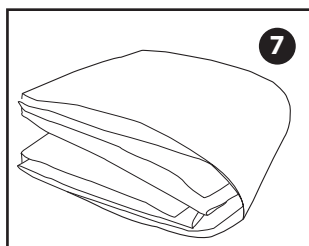
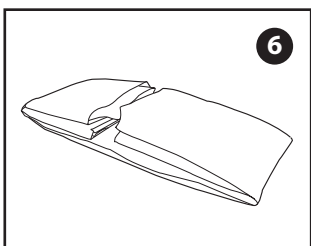
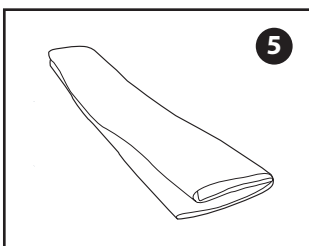
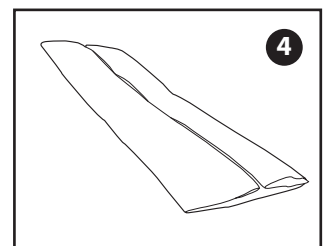
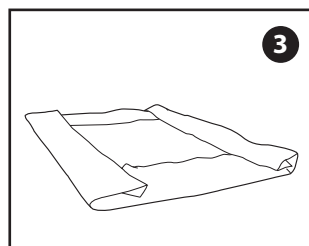
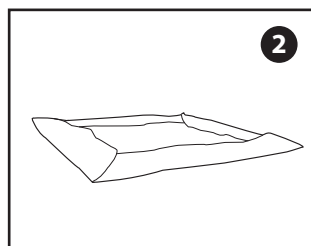
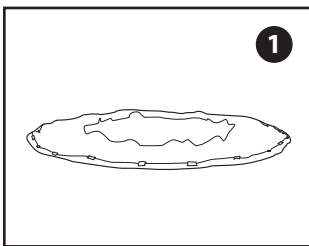
CAUTION: ALWAYS FOLLOW THE CHEMICAL MANUFACTURER'S DIRECTIONS, AND THE HEALTH AND HAZARD WARNINGS.

Do not add chemicals if the pool is occupied. This can cause skin or eye irritation. Concentrated chlorine solutions can damage the pool liner. In no event is Polygroup®, the buyer/retailers, or any other party liable for costs associated with the loss of pool water, chemicals, or water damage. Keep spare filter cartridges on hand. Replace cartridges every two weeks. We recommend the use of Polygroup® Filter Pump with all of our aboveground pools. To purchase a Polygroup® Filter Pump or other accessories, visit our website at support.polygroupstore.com or call Polygroup® Consumer Services.

EXCESSIVE RAIN: To avoid damage to the pool and overfilling, immediately drain rain water that causes the water level to be higher than the FILL LINE.

How to Drain Your Pool and Long Term Storage

1. Check local regulations for specific directions regarding disposal of swimming pool water.
2. Make sure the drain plug inside the pool is plugged in place.
3. Twist off the cap of the drain valve on the outside of the pool.
4. Attach a 5/8" garden hose to the drain valve.
5. Place the other end of the garden hose in an area where the water can be safely drained away from the house and other nearby structures.
6. Unplug the inner cap of the drain plug to start draining the pool.
7. When the water stops draining, start lifting the pool from the side opposite to the drain valve to drain any remaining water and empty the pool completely.
8. Replace the drain cap on outside of pool.
9. Completely deflate the top ring, and remove all connecting parts. (if you have one)
10. Be sure that the pool and all parts are completely dry before storage. Air dry the liner in the sun until completely dry before folding (see drawing ①). Sprinkle some talcum powder to prevent the vinyl from sticking together and to absorb any residual moisture.
11. Create a square shape. Starting at one side, fold one-sixth of liner into itself twice. Do the same on the opposite side (see drawings ② & ③).
12. Once you have created two opposing folded sides, simply fold one over the other like closing a book (see drawings ④ & ⑤).
13. Fold the two long ends to the middle (see drawing ⑥).
14. Fold one over the other like closing a book, and finally compact the liner (see drawing ⑦).
15. Store the liner and accessories in a dry, temperature-controlled storage location above 32°F (0°C) and below 104°F (40°C).
16. The original packing can be used for storage.



POOL STORAGE & WINTERIZING

This above ground pool cannot be winterized and must be drained, disassembled, and properly stored if you live in an area where the temperature drops below 32°F (0°C). If you are in a warmer environment, please follow the instructions below.

After usage, you can easily empty and store away your pool in a safe place (see long term storage above). Some pool owners, in warmer climates however, may choose to leave their pool up all year round. In cold areas, where freezing temperatures occur, there can be a risk of ice damage to your pool. Leaving your above ground pool set up in areas where the temperature drops below 32 degrees Fahrenheit (0 Celsius) voids the warranty.

Winterizing Your Above Ground Pool

1. Clean the pool water thoroughly.
2. Remove the skimmer (if applicable) or any accessories attached to the threaded strainer connector. Replace strainer grid if necessary. Be sure all accessories parts are clean and completely dry before storage.
3. Plug the Inlet and Outlet fitting from the inside of the pool (if applicable).
4. Remove the ladder (if applicable) and store in a safe place. Be sure the ladder is completely dry before storage.
5. Remove the hoses that connect the pump and filter to the pool.
6. Add the appropriate chemicals for the winter period. Consult your local pool dealer as to which chemicals you should use and how to use them. This can vary greatly by region.
7. Cover pool with Polygroup® Pool Cover. IMPORTANT NOTE: Polygroup® POOL COVER IS NOT A SAFETY COVER.
8. Clean and drain the pump, filter housing, and hoses. Remove and discard the old filter cartridge. Keep a spare cartridge for the next season.
9. Bring pump and filter parts indoors and store in a safe and dry area, preferably between 0°C (32°F) and 40°C (104°F).

POOL SAFETY SIGN

POST THIS WARNING NEAR YOUR POOL



WARNING

NO DIVING OR JUMPING SHALLOW WATER

DIVING MAY RESULT IN PERMANENT INJURY OR DEATH



- Be Safe.
- Children must be accompanied by an adult.
- Don't swim when using alcohol or drugs.
- Be familiar with the pool before swimming.
- No running, jumping, or horseplay in or around pool.
- No glass in pool area.

TO AVOID SERIOUS INJURY ALL POOL USERS MUST KNOW AND FOLLOW THESE SAFETY RULES.

POOL COVER SAFETY

IF YOU ARE GOING TO USE A POOL COVER, SOLAR COVER, OR SOLAR BLANKET, PLEASE READ THIS INFORMATION.

POOL COVER WARNING / SOLAR COVER WARNING / SOLAR BLANKET WARNING



AVOID DROWNING RISK

STAY OFF THE COVER AND BLANKET - IT WILL NOT SUPPORT WEIGHT.

KEEP CHILDREN AWAY. CHILDREN OR OBJECTS CAN NOT BE SEEN UNDER COVER AND BLANKET.

REMOVE STANDING WATER - CHILDREN CAN DROWN ON TOP OF COVER.

REMOVE COVER AND BLANKET COMPLETELY BEFORE ENTRY OF SWIMMERS - ENTRAPMENT POSSIBLE.

NON-SECURED OR IMPROPERLY SECURED COVER AND BLANKET ARE A HAZARD.

FAILURE TO FOLLOW ALL INSTRUCTIONS MAY RESULT IN INJURY OR DROWNING.

THIS IS NOT A SAFETY COVER.

INSTALL COVER AND BLANKET WITH LABELS FACING UP.

USE DRAWSTRING TO SECURE COVER TO POOL. THIS COVER MEETS REQUIREMENTS DESCRIBED IN SPECIFICATION F-1346 (ASTM).

VERY IMPORTANT

DO NOT USE A POOL COVER, SOLAR COVER, OR SOLAR BLANKET ON THIS POOL IF IT DOES NOT HAVE THIS TYPE OF WARNING LABEL ON THE COVER.

DANGER:

Competent supervision and knowledge of the safety requirements are the only ways to prevent drowning or permanent injury in the use of this product!

Never leave young children unattended.

SUMMER WAVES® PISCINA ACTIVE FRAME

PARA PISCINAS SOBRE SUELO
Modelos de 8' - 24' (2,44 m – 7,32 m)



LEA ESTAS INSTRUCCIONES Y CONSÉRVELAS PARA FUTURAS CONSULTAS

Para dudas sobre la instalación o resolución de problemas, visite support.polygroupstore.com Servicio de atención al cliente: 1-888-919-0070
NO DEVUELVA EL PRODUCTO A LA TIENDA

Para pedir piezas y accesorios, visite www.polygroupstore.com

Si le surge algún problema con su producto Polygroup®, no devuelva el producto al establecimiento de compra. Las reclamaciones por garantía deben realizarse directamente a Polygroup®. Si tiene dificultades con la instalación o desea saber más sobre cómo localizar y resolver problemas, visite support.polygroupstore.com. Atención al cliente: 1-888-919-0070. Puede ser necesario que nos envíe parte del producto o el producto en su totalidad para inspección y/o reparación. No devuelva ningún producto a Polygroup® sin un número de autorización de devolución.

TABLA DE CONTENIDO

Advertencias	3 ~ 6
Lista de piezas.....	7
Instrucciones de montaje	8 ~ 10
Mantenimiento y vaciado de la piscina	11
Invierno y almacenamiento de la piscina	12
Señal de seguridad de la piscina	12
Cubierta para piscina.....	13

GARANTÍA LIMITADA

Polygroup® Trading Limited, (en adelante, "Polygroup®"), garantiza al comprador original únicamente, el Piscina Active Frame contra defectos de material y mano de obra durante 90 días a partir de la fecha de compra. El comprador original debe conservar el justificante de compra en forma de recibo de venta original de la tienda, que deberá presentar si así se lo solicita Polygroup® o sus agentes delegados. Las reclamaciones de garantía no pueden procesarse sin un comprobante de compra válido. Esta garantía limitada solo se aplica al comprador original del producto y se limita a la reparación o sustitución del producto, a discreción de Polygroup®. Los daños consiguientes, incluyendo reclamaciones por pérdidas de agua, químicos para piscinas, daños mano de obra están cubiertos por esta garantía limitada. Esta garantía no se considerará válida en caso de modificación o reparación del producto por parte del comprador o de personas no autorizadas, uso de piezas o accesorios no originales de Polygroup® en el producto, uso del producto contraviniendo las instrucciones del fabricante, uso de voltaje inadecuado, cualquier tipo de abuso del producto o en caso de accidente o negligencia. Esta garantía no cubre el desgaste normal, así como los casos de fuerza mayor fuera del control de Polygroup®. Polygroup® no se hace responsable de las hierbas que pueden crecer a través del paño de tierra y / o el revestimiento de la piscina, ya que esto no es un defecto de fabricación.

EN NINGÚN CASO SERÁN RESPONSABLES Polygroup®, SUS AGENTES AUTORIZADOS, ENTIDADES ASOCIADAS O EMPLEADOS ANTE EL COMPRADOR O TERCEROS POR DAÑOS DIRECTOS O CONSIGUIENTES. Algunos estados o países, u otras jurisdicciones, no permiten la exclusión o limitación de daños accidentales o consiguientes, en cuyo caso no se aplicarán las anteriores limitaciones o exclusiones.

INSTRUCCIONES IMPORTANTES DE SEGURIDAD

Al instalar y usar este producto, deben seguirse siempre ciertas instrucciones básicas de seguridad, incluidas las siguientes:

LEA Y SIGA TODA LA INFORMACIÓN Y LAS INSTRUCCIONES

Consérvelas para futuras consultas. El incumplimiento de estas advertencias e instrucciones puede provocar lesiones graves o la muerte de los usuarios, especialmente los niños.

⚠️ ADVERTENCIA



⚠️ PELIGRO

EVITE AHOGAMIENTOS!

VIGILE DE CERCA A LOS NIÑOS CUANDO ESTÉN EN LA PISCINA O EN SUS ALREDEDORES. EN EL CASO DE NIÑOS MENORES DE 5 AÑOS, EL RIESGO DE AHOGAMIENTO ES MAYOR. VACÍE LA ALBERCA O PREVENGA EL ACCESO A ELLA CUANDO NO SE ENCUENTRE EN USO.

PROHIBIDO SUMERGIR!

AGUA POCO PROFUNDA PROHIBIDO ZAMBULLIRSE DE CLAVADO! RIESGO DE FRACTURA DEL CUELLO Y PARÁLISIS.

⚠️ ADVERTENCIA

NO SE SIENTE NI SE TUMBE SOBRE LA PARED DE LA PISCINA

EVITE QUEDAR ATRAPADO!

ALÉJESE DE LOS ACCESORIOS DE DRENAJE O SUCCIÓN. EL PELO, EL CUERPO Y LAS ALHAJAS PUEDEN SER SUCCIONADOS POR EL SISTEMA DE DRENADO. CORRIENDO RIESGO DE QUEDAR ATRAPADO BAJO EL AGUA Y AHOGARSE. NO USE LA PISCINA SI LA TAPA DEL DRENAJE O DE LA BOCA DE SUCCIÓN DE SALIDA ESTÁ ROTA O FALTANDO.



- Instale la piscina sobre una superficie **NIVELADA, ESTABLE** y **COMPACTA**.
- **NO** instale la piscina sobre arena.
- El exceso de arena dentro de la piscina **DAÑARÁ** el revestimiento de la piscina y el sistema de filtración. El incumplimiento de estas instrucciones supondrá la anulación de la garantía.

AVISO: LOS CLIENTES QUE ADQUIERAN PISCINAS PODRÍAN ESTAR OBLIGADOS POR LA LEGISLACIÓN ESTATAL O LOCAL A INCURRIR EN GASTOS ADICIONALES AL INSTALAR UNA PISCINA PARA CUMPLIR CON LAS LEYES ESTATALES O LOCALES RELATIVAS AL VALLADO Y OTROS REQUISITOS DE SEGURIDAD. LOS CLIENTES DEBEN PONERSE EN CONTACTO CON LAS AUTORIDADES LOCALES CORRESPONDIENTES PARA MÁS INFORMACIÓN. POLYGROUP® NO ES RESPONSABLE POR GASTOS ADICIONALES QUE PUEDAN OCURRIR.

Precauciones de seguridad para los niños

Riesgo de ahogamiento:

1. Asigne a un adulto para que se haga responsable de observar a los niños en la piscina. Proporcione a esta persona una etiqueta de «vigilante de piscina» y pídale que la lleve puesta todo el tiempo cuando esté a cargo de supervisar a los niños en la piscina. Si necesita irse por alguna razón, pídale a esta persona que delegue la responsabilidad de la supervisión a otro adulto y le pase la etiqueta de «vigilante de piscina». **Para reemplazar la etiqueta de vigilante de la piscina, visite www.polygroupstore.com**
2. La piscina presenta un peligro de ahogo incluso cuando se está llenando o vaciando. Mantenga una supervisión constante de los niños y no quite ninguna barrera de seguridad hasta que la piscina esté completamente vacía y guardada.
3. Los niños, especialmente los menores de 5 años, tienen un alto riesgo de ahogarse. Los ahogamientos suceden de manera silenciosa y rápida, pudiendo suceder en tan poco como 5 cm de agua.
4. Mantenga a los niños dentro de su campo de visión, permanezca cerca y vigílelos activamente cuando estén cerca o dentro de la piscina y cuando esté llenando y vaciando la piscina.
5. Al buscar un niño perdido, compruebe primero la piscina, incluso aunque piense que el niño está en casa.
6. No deje juguetes dentro de la piscina al terminar de usarla, ya que los juguetes y objetos similares podrían atraer a los niños a la piscina. Coloque los muebles (por ejemplo, mesas o sillas) lejos de la piscina para que los niños no puedan subirse a ellos para acceder a la piscina. Después de usar la piscina, deje el nivel de agua en 1 cm o menos.
7. Sitúe las bombas y filtros de manera que los niños no puedan subirse a ellos para acceder a la piscina.

Vallas para piscina

Muy importante:

1. Las vallas para piscina, que restringen el acceso a la piscina a los niños pequeños, pueden ser un requisito legal. Las vallas son necesarias para proporcionar protección contra un posible ahogamiento o casi ahogamiento. Las vallas no sustituyen la vigilancia constante de los niños. Consulte las normas y códigos estatales y locales antes de instalar la piscina.
2. Evite que los niños accedan a la piscina sin vigilancia instalando una valla u otra barrera aprobada alrededor de la piscina. Las leyes o códigos estatales o locales pueden exigir una valla u otras barreras aprobadas. Consulte las normas y códigos estatales y locales antes de instalar la piscina.
3. Vea la última edición publicada de CPSC Pub. El n.º 362 puede encontrarse en www.poolsafely.gov.

Equipamiento de la piscina

1. El uso de iluminación artificial para piscinas depende del dueño de la piscina. Una vez instalada, la iluminación debe cumplir el art. 680 del Código Eléctrico Nacional (NEC) o la última edición aprobada y debe contar con el asesoramiento de un profesional autorizado.
2. Mantenga los cables eléctricos, radios, altavoces y otros aparatos eléctricos lejos de la piscina.
3. No coloque la piscina cerca o debajo de cables eléctricos.
4. Todos los componentes instalados en y/o adyacentes a una piscina sobre tierra residencial deben instalarse en conformidad con los requisitos de la última edición publicada del NFPA 70, Código Eléctrico Nacional (NEC®), art. 680, Piscinas, fuentes e instalaciones similares, así como con cualquier código estatal o local. Para obtener más información, visite www.nfpa.org.

Conocimiento de la piscina

Advertencia:

1. **MONTAJE POR UN ADULTO:** Esta piscina puede contener bordes y puntas afilados o piezas pequeñas potencialmente peligrosos.
2. **No instale la piscina en pendientes o superficies inclinadas, en suelos blandos o poco compactos (Por ejemplo, arena o barro), ni en superficies elevadas como terrazas, plataformas o balcones, que puedan colapsar bajo el peso de la piscina llena.**
3. **PARA EVITAR EL PELIGRO DE ASFIXIA:** Mantenga la bolsa de plástico usada con este producto alejada de bebés y niños; no use la bolsa en cunas, camas, carritos o parques para bebés. La bolsa de plástico podría bloquear la nariz y la boca e impedir la respiración. La bolsa de plástico no es un juguete.
4. No utilice la piscina si falta algún drenaje o cubierta de salida de succión o si están dañados. La succión puede provocar que partes del cuerpo queden atrapadas, que se enreden el cabello o alguna alhaja, o el ahogamiento. Repare o reemplace el drenaje o la cubierta de salida de succión antes de usar la piscina nuevamente.
5. Cuando use la piscina de noche, se debe usar iluminación artificial para que todas las señales de seguridad, escaleras, escalones, plataformas de madera y senderos queden iluminados.
6. El fondo de la piscina debe ser visible en todo momento desde el perímetro exterior de la piscina.
7. Mantenga la piscina limpia. La parte más profunda de la piscina debe ser visible en todo momento desde la valla exterior de la piscina.
8. Llame al servicio de emergencias si es necesario.
9. Tenga siempre a mano un equipo básico de salvamento, que incluya uno de los siguientes:
 - Una vara rígida, resistente y ligera (un cayado) con una longitud no inferior a 366 cm.
 - Una cuerda de al menos 6,35 mm de diámetro con una longitud igual a la mitad de la anchura máxima de la piscina o 15,24 m, la que sea inferior, que esté firmemente sujeta a un flotador de salvamento aprobado con un diámetro exterior de aproximadamente 38,1 cm, o un dispositivo de flotación aprobado similar.
10. La piscina puede sufrir desgaste y deterioro. Si no se realiza el mantenimiento adecuado, ciertos tipos de deterioro excesivo o acelerado pueden provocar fallos en la estructura de la piscina que podrían liberar grandes cantidades de agua, causando así daños corporales y en la propiedad.
11. No permita juegos bruscos, inmersiones ni saltos dentro o alrededor de la piscina. Esto puede provocar lesiones graves, parálisis o la muerte. **NO PERMITA** que nadie nade solo, sin supervisión.
12. La piscina debe estar situada a una distancia mínima de 1,83 m de cualquier toma de corriente, y todas las tomas de 125 V 15-20 A situadas en un radio de 0,6 m de la piscina deben protegerse con un interruptor diferencial (GFCI), donde las distancias sean, por medida, la ruta más corta que seguiría el cable de alimentación de un aparato conectado al receptáculo, sin perforar cualquier piso, pared, techo, marco con puerta abisagrada o corredera, ventana o cualquier otra barrera permanente, hasta la pared interior de la piscina.

Sistemas de circulación

1. Siga las instrucciones para el posicionamiento de todos los equipos conectados al sistema de circulación y para la utilización de los componentes.
2. El equipo de circulación deberá instalarse siguiendo las instrucciones del fabricante para proporcionarle un montaje y soporte adecuado, para evitar daños derivados de una mala alineación, asentamiento y vibración, y para minimizar la posibilidad de acumulación de residuos y humedad. Consulte el manual de instrucciones de la bomba.
3. La bomba de repuesto no debe exceder la tasa de flujo máximo marcada en el accesorio de succión.

Escalera

1. Debe colocar la escalera sobre una base sólida y debe instalarla según las instrucciones del fabricante.
2. No debe haber más de una persona sobre la escalera simultáneamente.
3. Esta escalera está diseñada y fabricada para una altura específica de pared de piscina y/o plataforma de la piscina.
4. Para entrar/salir de la piscina, hágalo siempre de cara a la escalera.
5. Para evitar que alguien quede atrapado o se ahogue, no nade por, debajo o alrededor de la escalera.
6. Retire y sujete la escalera cuando la piscina esté vacía.

Cubierta de la piscina

Las cubiertas de piscina usadas para vallas de seguridad deben cumplir la última edición publicada de la ASTM F-1346, norma de especificaciones de rendimiento para las cubiertas de seguridad y requisitos de etiquetado para todas las cubiertas de piscinas, spas y jacuzzis.

Productos químicos

Por motivos de seguridad, asegúrese de que la parte más profunda de la piscina siempre esté visible. El usuario debe mantener siempre apropiadamente limpia el agua de la piscina. Compruebe los niveles de pH y cloro periódicamente y asegúrese de que están dentro de los límites recomendados. De vez en cuando, podrían ser necesarios productos químicos adicionales para tratar el agua. Lleve a analizar una muestra de agua a la tienda local de suministros de piscina para determinar si necesita más productos químicos. Encienda la bomba por las horas recomendadas diariamente. Si no está seguro de los plazos, consulte support.polygroupstore.com para las horas de funcionamiento de la bomba recomendadas, basadas en tipos y tamaños de piscina. Limpie y cambie el cartucho de la bomba del filtro con frecuencia. Reemplazar solo con un cartucho de filtro original de la marca Polygroup® / Summer Waves® Consulte el manual de la bomba del filtro para más información sobre el cuidado del agua.

Riesgo de quedar atrapado

1. Evite quedar atrapado: No debe haber salientes u otros obstáculos en la zona de baño que puedan causar que el usuario quede atrapado o enredado. No use la piscina en caso de que falte o esté rota alguna tapa de las salidas de succión. La succión puede provocar que quede atrapada alguna parte del cuerpo, que se enreden el cabello o las joyas o ahogamiento. Repare o sustituya la tapa de la salida de succión antes de dejar que se use la piscina.
2. No juegue ni nade cerca de las válvulas de succión o drenaje. Podrían quedar atrapados su cabello o su cuerpo, causándole lesiones permanentes o ahogamiento.

Riesgo de ahogamiento

1. Evite que los niños accedan a la piscina sin vigilancia instalando una valla u otra barrera aprobada alrededor de la piscina. Las leyes los códigos estatales o locales pueden exigir una valla u otras barreras aprobadas. Consulte las normas los códigos estatales y locales antes de instalar la piscina.
2. Retire las escaleras de la piscina antes de dejar la piscina.
3. Los juguetes, sillas, mesas y objetos similares a los que un niño podría subirse deben tener una altura mínima de 1,2 m respecto a la piscina. El sistema del filtro de la bomba debe colocarse de manera que no pueda ser usado por los niños pequeños como medio de acceso a la piscina.

Riesgo de las inmersiones

1. Las piscinas domésticas sobre suelo son solo para nada y caminar. No se deben agregar trampolines, toboganes u otros equipos a las piscinas sobre el nivel del suelo o por encima de este.
2. No se sumerja en esta piscina. Sumergirse en aguas poco profundas puede resultar en una rotura de cuello, parálisis o, incluso, la muerte.

Riesgo de electrocución

1. Mantenga los cables eléctricos, radios, altavoces y otros aparatos eléctricos lejos de la piscina.
2. No coloque la piscina cerca o debajo de cables eléctricos.

Primeros auxilios

1. Tenga siempre un teléfono en funcionamiento y una lista de número de emergencia cerca de la piscina.
2. Aprenda la técnica de la resucitación cardiopulmonar (CPR). En caso de emergencia, realizar inmediatamente la CPR puede salvar una vida.

Advertencia especial

1. Los códigos de construcción locales pueden exigir la obtención de un permiso de construcción o instalación eléctrica. El instalador debe seguir las normativas sobre retranqueo, barreras, dispositivos y otros requisitos.
2. Las señales de seguridad deben cumplir los requisitos de la ANSI-Z535 y usar señalización de advertencia.
3. NO intente montar la piscina en condiciones climatológicas adversas, en caso de viento o cuando la temperatura sea inferior a 15,5 °C.
4. Esta piscina es almacenable, por lo que debería desmontarse y guardarse cuando se esperen temperaturas por debajo de 0 °C.
5. Asegurarse de que todas las piscinas los componentes instalados en interiores cumplan los requisitos de ventilación de la ANSI/ASHRAE 62 o la última edición publicada de Ventilación para una calidad aceptable del aire en interiores, Tabla 2, art. 2.1.
6. La colocación de la piscina y de las piscinas portátiles debe realizarse de modo que cumpla los códigos locales de construcción y seguridad.

Advertencia de seguridad adicional

1. Cuando toque el filtro, la bomba o las piezas eléctricas, asegúrese de que el suelo que pisa esté totalmente seco.
2. Conecte los cables de alimentación a una toma de corriente con conexión a tierra.
3. Mantenga todos los objetos que se puedan romper fuera de la zona de la piscina.
4. El consumo de alcohol no es compatible con las actividades de piscina. No deje que nadie nade, bucee o se deslice bajo la influencia del alcohol o las drogas.
5. Existe riesgo de descarga eléctrica si instala la bomba o el filtro en una plataforma. La bomba o el filtro podrían caer al agua, provocando descargas graves o electrocución.
6. No permita los juegos bruscos.
7. No realice actividades bajo el agua manteniendo la respiración durante mucho tiempo; podría perder el conocimiento y ahogarse.
8. Instale una escalera de piscina para entrar y salir de la piscina.
9. Compruebe regularmente si existen signos de desgaste o pernos sueltos que puedan comprometer la seguridad de la piscina.
10. Instruya a los usuarios de la piscina sobre el uso adecuado de las escaleras de piscina.
11. Compruebe todas las tuercas y pernos regularmente para asegurarse de que la escalera se mantiene sólida.
12. Póngase en contacto con el distribuidor o fabricante de la piscina para obtener más señales de seguridad si lo considera necesario.
13. Acuda a un técnico de piscinas profesional para el servicio de mantenimiento de la piscina. Para más información de seguridad, consulte www.APSP.org

Folleto de sensibilización del consumidor y fuente de información

CONTACTO: Comisión de Seguridad de Productos del Consumidor de EE. UU. En www.cpsc.gov/safety-education/safety-guides/pools-and-spas, Pub. # 362 "Pautas de barrera de seguridad para piscinas en el hogar".

1. La manera sensata de disfrutar de su piscina sobre suelo.
2. Los niños no son a prueba de agua.
3. Capas de protección.
4. Procedimientos de emergencia en piscinas y spas para bebés y niños.
5. Existen copias gratuitas de los folletos anteriores sobre seguridad del APSP. Vaya a: www.APSP.org

Existen programas educativos y materiales

Sobre los programas educativos (es decir, seminarios, talleres, folletos, videos, guías) del APSP, otros grupos de seguridad acuática y empresas privadas. Con el objetivo de comunicar información de seguridad útil a los dueños/operadores y usuarios de piscinas, está permitido que los miembros de la industria suministren esta información a los dueños/operadores y que soliciten o exijan a los dueños/operadores una declaración firmada de que han recibido, leído y seguirán las instrucciones.

Otras fuentes de información de seguridad:

- www.cdc.gov
- www.cpsc.gov
- www.drowningpreventionalliance.com
- www.nspf.org
- www.safekids.org

NSF NSF International

CORREOS. Box 130140
789 N. Dixboro Road
Ann Arbor MI 481105
Contacto: 800-673-6275 o 734-769-8010
www.nsf.org

Instituto Nacional de Normas Americanas ANSI

25 West 43rd Street, Nueva York NY 10036
Contacto: 212-642-4900
www.ansi.org

ASTM ASTM International (anteriormente Sociedad Americana de Pruebas y Materiales)

100 Barr Harbour Drive, P.O. Box C700 West Conshohocken, PA 19428-2959
Contacto: 877-909-2786 (EE. UU. Y CANADÁ) o 610-832-9585 (Internacional)
www.astm.org

Asociación de profesionales de piscinas y spas de APSP

(anteriormente National Spa and Pool Institute)
2111 Eisenhower Avenue, Ste. 500
Alexandria VA 22314-4679
Contacto: 703-838-0083
www.apsp.org

Código Eléctrico Nacional de NEC (ver NFPA)

Asociación Nacional de Protección contra Incendios de la NFPA
1 Parque Batterymarch, Quincy MA 02169-7471
Contacto: 800-344-3555 (EE. UU. Y CANADÁ) o 617-770-3000 (internacional)
www.nfpa.org

NSPI National Spa and Pool Institute (ver APSP)

Laboratorios UL Underwriters

333 Pfingsten Road, Northbrook IL 60062-2096
Contacto: 877-854-3577 o 847-272-8800
www.ul.com

ASME Sociedad Americana de Ingenieros Mecánicos

Two Park Avenue, Nueva York NY 10016-5990
Contacto: 800-843-2763 (EE. UU. Y CANADÁ) o 973-882-1170
(fuera de Norteamérica)
www.asme.org

Sistemas de filtración

Hay que colocar cualquier equipo conectado a los sistemas de ventilación de manera que los niños no lo puedan usar como medio de acceso a la piscina. (Véase la última edición publicada del Código sobre dispositivos de seguridad ANSI/APSP-8 para piscinas, spas y bañeras de hidromasaje de uso residencial).

Barrera

Las barreras son necesarias para ofrecer protección ante posibles ahogamientos y casi ahogamientos, y no son un sustituto de la supervisión constante de los niños. (Véase la última edición publicada del Código sobre dispositivos de seguridad ANSI/APSP-8 para piscinas, spas y bañeras de hidromasaje de uso residencial).


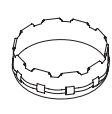
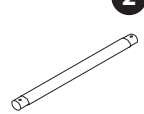

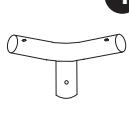


Riesgo de accidentes de ahogamiento, atrapamiento y buceo

Hay publicaciones disponibles que describen el riesgo de accidentes de ahogamiento, atrapamiento y buceo. Las publicaciones relacionadas con la seguridad de la piscina disponibles incluyen folletos de la Asociación de profesionales de piscina y spa (APSP) titulados: The Sensible Way to Enjoy Your Above-ground/On-ground Swimming Pool [La forma sensata de disfrutar de su piscina desmontable y fija], Children Aren't Waterproof [Los niños no son a prueba de agua], Pool and Spa Emergency Procedures for Infants and Children [Procedimientos de emergencia en piscinas y spas para bebés y niños], Layers of Protection [Capas de protección], y la última edición publicada del Código sobre dispositivos de seguridad ANSI/APSP-8 para piscinas, spas y bañeras de hidromasaje de uso residencial.

Responsabilidades del instalador

La instalación de todos estos componentes debe realizarse de manera que los niños no lo puedan usar como medio de acceso a la piscina. Toda la señalización de seguridad deberá ubicarse a una altura superior al nivel de agua máximo que pueda contener la piscina agua encima de la línea de agua y de manera conforme a las instrucciones del fabricante. (Véase la última edición publicada del Código sobre dispositivos de seguridad ANSI/APSP-8 para piscinas, spas y bañeras de hidromasaje de uso residencial).

LISTA DE PIEZAS

																
Tamaño de la piscina	Nº Pieza			Cant.	Nº Pieza	Cant.	Nº Pieza	Cant.	Nº Pieza	Cant.	Nº Pieza	Cant.	Nº Pieza	Cant.		
Piscina Active Frame	Lona de la piscina				Tubo horizontal		Pata vertical		Pieza en T		Capuchón de pata		Perno y arandela (con 2 extra)		*Perno adicional en forma de V previamente instalado (con 1 extra)	
08'x20" (244x51) cm	P20008200099	P20008201099	P20008204099	1	P5A1A0001W01	8	P5A2A0018W01	8	P5A3A0000W01	8	P5APF1450K01	8	P5A149144W02	18	P5APF121BW01	9
08'x26" (244x66) cm	P20008260099	P20008261099	P20008264099	1	P5A1A0001E0K	8	P5A2A0000W01	8	P5A3A0000E0K	8	P5APF1450CN	8	P5A1491447CN	18	P5APF121B7CN	9
08'x30" (244x76) cm	P20008300099	P20008301099	P20008304099	1	P5A1A0001E0N	8	P5A2A0001E0N	8	P5A3A0000E0N	8	P5APF14508UN	8	P5A1491448UN	18	P5APF121B8UN	9
08'x30" (244x76) cm	P2A008300099	P2A008301099	P2A008304099	1	P5A1A0001W01	10	P5A2A0001W01	10	P5A3A0001W01	10	P5APF1450K01	10	P5A1491447CN	22	P5APF121B7CN	11
08'x30" (244x76) cm	P2N008300099	P2N008301099	P2N008304099	1	P5A1A0001E0K	10	P5A2A0001E0K	10	P5A3A0001E0K	10	P5APF1450CN	10	P5A1491447CN	22	P5APF121B7CN	11
10'x30" (305x76) cm	P20010300099	P20010304099	P20010301099	1	P5A1A0001E0N	10	P5A2A0001E0N	10	P5A3A0001E0N	10	P5APF14508UN	10	P5A1491448UN	22	P5APF121B8UN	11
10'x30" (305x76) cm	P20010306099	P20010300D99	P2A010304099	1	P5A1A0001W01	11	P5A2A0014W01	11	P5A3A0001W01	11	P5APF1450K01	11	P5A149144W02	24	P5APF121BW01	12
10'x30" (305x76) cm	P2N010300099	P2N010308099	P2N010304099	1	P5A1A0001W01	11	P5A2A0014W01	11	P5A3A0002W01	11	P5APF1450K01	11	P5A149144W02	24	P5APF121BW01	12
10'x42" (305x107) cm	P20010420099	P20010421099	P20010424099	1	P5A1A0001W01	11	P5A2A0014W01	11	P5A3A0002W01	11	P5APF1450K01	11	P5A149144W02	24	P5APF121BW01	12
11'x30" (335x76) cm	P20011300099	P20011301099	P20011304099	1	P5A1A0001W01	12	P5A2A0003W01	12	P5A3A0003W01	12	P5APF1450K01	12	P5A149144W02	26	P5APF121BW01	13
12'x30" (366x76) cm	P20012300099	P20012301099	P20012304099	1	P5A1A0001E0K	12	P5A2A0003E0K	12	P5A3A0003E0K	12	P5APF1450CN	12	P5A1491447CN	26	P5APF121B7CN	13
12'x30" (366x76) cm	P2A012300099	P2A012305099	P2A012304099	1	P5A1A0001W01	12	P5A2A0012W01	12	P5A3A0003W01	12	P5APF1450K01	12	P5A149144W02	26	P5APF121BW01	13
12'x33" (366x84) cm	P20012330099	P20012331099	P20012334099	1	P5A1A0001E0K	12	P5A2A0012E0K	12	P5A3A0003E0K	12	P5APF04907CN	12	P5A1201447CN	26	P5APF121A7CN	13
12'x33" (366x84) cm	P2A012330099	P2A012335099	P2A012334099	1	P5A1A0001E0N	12	P5A2A0012E0N	12	P5A3A0003E0N	12	P5APF04908UN	12	P5A1201448UN	26	P5APF121A8UN	13
12'x33" (366x84) cm	P2N012330099	P2N012336099	P2N012334099	1	P5A1A0002W01	12	P5A2A0003W01	12	P5A3A0003W01	12	P5APF1450K01	12	P5A149144W02	26	P5APF121BW01	13
12'x36" (366x91) cm	P20012360099	P20012361099	P20012364099	1	P5A1A0002W01	12	P5A2A0003W01	12	P5A3A0003W01	12	P5APF1450K01	12	P5A149144W02	26	P5APF121BW01	13
12'x39" (366x99) cm	P20012390099	P20012391099	P20012394099	1	P5A1A0002E0K	12	P5A2A0008E0K	12	P5A3A0004E0K	12	P5APF04907CN	12	P5A1201447CN	26	P5APF121A7CN	13
12'x48" (366x122) cm	P20012480099	P20012481099	P20012484099	1	P5A1A0002E0N	12	P5A2A0008E0N	12	P5A3A0004E0N	12	P5APF04908UN	12	P5A1201448UN	26	P5APF121A8UN	13
12'x48" (366x122) cm	P2A012480099	P2A012481099	P2A012484099	1	P5A1A0002W01	12	P5A2A0009W01	12	P5A3A0004W01	12	P5APF0490K01	12	P5A120144W01	26	P5APF121A7CN	13
12'x48" (366x122) cm	P2N012480099	P2N012481099	P2N012484099	1	P5A1A0002W01	12	P5A2A0009W01	12	P5A3A0004W01	12	P5APF0490K01	12	P5A120144W01	26	P5APF121A7CN	13
12'x52" (366x132) cm	P20012520099	P20012521099	P20012524099	1	P5A1A0002W01	13	P5A2A0009W01	13	P5A3A0004W01	13	P5APF0490K01	13	P5A120144W01	28	P5APF121A7CN	13
13'x30" (396x76) cm	P20013300099	P20013301099	P20013304099	1	P5A1A0001W01	13	P5A2A0012W01	13	P5A3A0014W01	13	P5APF1450K01	13	P5A149144W02	28	P5APF121BW01	14
13'x33" (396x84) cm	P20013330099	P20013331099	P20013334099	1	P5A1A0001W01	13	P5A2A0003W01	13	P5A3A0013W01	13	P5APF1450K01	13	P5A149144W02	28	P5APF121BW01	14
13'x39" (396x99) cm	P20013390099	P20013391099	P20013394099	1	P5A1A0002W01	13	P5A2A0009W01	13	P5A3A0013W01	13	P5APF0490K01	13	P5A120144W01	28	P5APF121A7CN	13
13'x52" (396x132) cm	P20013520099	P20013521099	P20013524099	1	P5A1A0002W01	13	P5A2A0009W01	13	P5A3A0013W01	13	P5APF0490K01	13	P5A120144W01	28	P5APF121A7CN	13
14'x36" (427x91) cm	P20014360099	P20014361099	P20014364099	1	P5A1A0002E0N	14	P5A2A0004E0N	14	P5A3A0012E0N	14	P5APF04908UN	14	P5A1201448UN	30	P5APF121A8UN	15
14'x36" (427x91) cm	P2Q014360099	P2Q014361099	P2Q014364099	1	P5A1A0002W01	14	P5A2A0005W01	14	P5A3A0012W01	14	P5APF0490K01	14	P5A120144W01	30	P5APF121A7CN	13
14'x42" (427x107) cm	P20014420099	P20014421099	P20014424099	1	P5A1A0002E0K	14	P5A2A0008E0K	14	P5A3A0012E0K	14	P5APF04907CN	14	P5A1201447CN	30	P5APF121A7CN	13
14'x48" (427x122) cm	--	P20014486099	--	1	P5A1A0002E0N	14	P5A2A0008E0N	14	P5A3A0012E0N	14	P5APF04908UN	14	P5A1201448UN	30	P5APF121A8UN	13
14'x48" (427x122) cm	--	P20014486099	--	1	P5A1A0002W01	14	P5A2A0009W01	14	P5A3A0012W01	14	P5APF0490K01	14	P5A120144W01	30	P5APF121A7CN	13
14'x52" (427x132) cm	P20014520099	P20014521099	P20014524099	1	P5A1A0002W01	14	P5A2A0009W01	14	P5A3A0012W01	14	P5APF0490K01	14	P5A120144W01	30	P5APF121A7CN	13
15'x33" (457x84) cm	P20015330099	P20015331099	P20015334099	1	P5A1A0002W01	15	P5A2A0016W01	15	P5A3A0005W01	15	P5APF0490K01	15	P5A120144W01	32	P5APF121A7CN	13
15'x36" (457x91) cm	P20015360099	P20015361099	P20015364099	1	P5A1A0002W01	15	P5A2A0004W01	15	P5A3A0005W01	15	P5APF0490K01	15	P5A120144W01	32	P5APF121A7CN	13
15'x42" (457x107) cm	P20015420099	P20015421099	P20015424099	1	P5A1A0002W01	15	P5A2A0005W01	15	P5A3A0005W01	15	P5APF0490K01	15	P5A120144W01	32	P5APF121A7CN	13
15'x48" (457x122) cm	P20015480099	P20015481099	P20015484099	1	P5A1A0002W01	15	P5A2A0008W01	15	P5A3A0005W01	15	P5APF0490K01	15	P5A120144W01	32	P5APF121A7CN	13
15'x52" (457x132) cm	P20015520099	P20015521099	P20015524099	1	P5A1A0002W01	15	P5A2A0009W01	15	P5A3A0005W01	15	P5APF0490K01	15	P5A120144W01	32	P5APF121A7CN	13
16'x42" (488x107) cm	P20016420099	P20016421099	P20016424099	1	P5A1A0002W01	16	P5A2A0005W01	16	P5A3A0006W01	16	P5APF0490K01	16	P5A120144W01	34	P5APF121A7CN	13
16'x48" (488x122) cm	P20016480099	P20016481099	P20016484099	1	P5A1A0002W01	16	P5A2A0008W01	16	P5A3A0006W01	16	P5APF0490K01	16	P5A120144W01	34	P5APF121A7CN	13
16'x52" (488x132) cm	P20016520099	P20016521099	P20016524099	1	P5A1A0002W01	16	P5A2A0009W01	16	P5A3A0006W01	16	P5APF0490K01	16	P5A120144W01	34	P5APF121A7CN	13
17'x48" (518x122) cm	P20017480099	P20017481099	P20017484099	1	P5A1A0002W01	17	P5A2A0008W01	17	P5A3A0007W01	17	P5APF0490K01	17	P5A120144W01	36	P5APF121A7CN	13
17'x52" (518x132) cm	P20017520099	P20017521099	P20017524099	1	P5A1A0002W01	17	P5A2A0009W01	17	P5A3A0007W01	17	P5APF0490K01	17	P5A120144W01	36	P5APF121A7CN	13
18'x42" (549x107) cm	P20018420099	P20018421099	P20018424099	1	P5A1A0002W01	18	P5A2A0005W01	18	P5A3A0008W01	18	P5APF0490K01	18	P5A120144W01	38	P5APF121A7CN	13
18'x48" (549x122) cm	P20018480099	P20018481099	P20018484099	1	P5A1A0002W01	18	P5A2A0008W01	18	P5A3A0008W01	18	P5APF0490K01	18	P5A120144W01	38	P5APF121A7CN	13
18'x52" (549x132) cm	P20018520099	P20018521099	P20018524099	1	P5A1A0002W01	18	P5A2A0009W01	18	P5A3A0008W01	18	P5APF0490K01	18	P5A120144W01	38	P5APF121A7CN	13
20'x48" (610x122) cm	P20020480099	P20020481099	P20020484099	1	P5A1A0002W01	20	P5A2A0008W01	20	P5A3A0009W01	20	P5APF0490K01	20	P5A120144W01	42	P5APF121A7CN	13
24'x52" (732x132) cm	P20024520099 (CP2000)	P20024521099	P20024520099	1	P5A1A0002W01	24	P5A2A0009W01	24	P5A3A0011W02	24	P5APF0490K01	24	P5A120144W01	50	P5APF121A7CN	13

INSTRUCCIONES DE MONTAJE

Antes de montar el producto, dedique unos minutos a comprobar el contenido y familiarícese con todas las piezas.

! ADVERTENCIA - NO llene en exceso la piscina y/o permita que las personas se tiendan en la pared de la piscina o se sienten sobre la misma ya que puede causar un daño permanente. Vacíe la piscina hasta el nivel adecuado después de una lluvia torrencial.

SUGERENCIA: La instalación de la piscina se realiza más fácilmente si la despliega y la deja al sol durante 2 horas antes de instalarla. Esto contribuirá a garantizar una forma sin pliegues ya que el material de la piscina estará más flexible y podrá darle forma durante la instalación.

ADVERTENCIA - MUY IMPORTANTE! LA PISCINA DEBE ARMARSE EN TIERRA NIVELADA, FIRME Y COMPACTA.

- El montaje de la piscina debe realizarse sobre tierra, firme y llano que no tenga piedras, gravilla, palos, alquitrán, ni ningún otro componente de petróleo.
- Antes de configurar su piscina, se recomienda limpiar el área de hierbas resistentes. Certos tipos de pastos vigorosos tales como St. Augustine y Bermuda pueden crecer a través del trazador de líneas. Un paño de tierra o lona puede ser útil para evitar que esto ocurra. La hierba que crece a través del forro no está cubierta por la garantía.
- No instale la piscina en plataformas o superficies de madera. No puede usar arena o suelo sin compactar como suelo liso para esta piscina; solo se desgastará.
- EL NO SEGUIR LAS INSTRUCCIONES DE ABAJO DA LUGAR AL DETERIORO DE LA PISCINA E INVALIDARÁ LA GARANTÍA!

Preparación de la ubicación

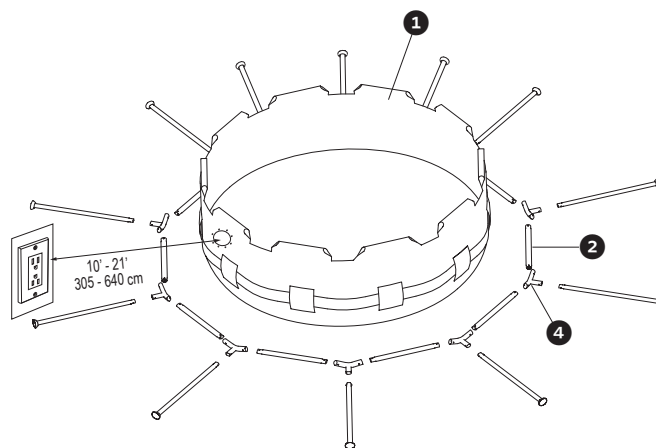
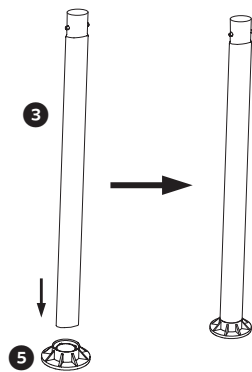
1. Seleccione una zona lisa y elimine completamente todos los desechos, las ramas, las piedras, etc. No elija una zona que esté situada debajo de líneas eléctricas elevadas, árboles o a 15 pies (3,9 metros) de una casa, un edificio, etc.
2. La piscina debe colocarse a una distancia mínima de 6 pies (1,83 metros) de cualquier receptáculo eléctrico.
3. Todos los receptáculos de 125 v, 15 y 20 amperios que estén situados a 20 pies (6 metros) de la piscina deben estar protegidos por un interruptor del circuito de fallos de conexión a tierra (GFCI). La distancia de 20 pies (6 metros) se mide con la distancia más corta en línea recta que daría el cable de suministro sin perforar ningún piso, pared, techo, puerta, ventana u otra barrera permanente.
4. Póngase en contacto con su empresa local de electricidad, compruebe que no existen cables por debajo del suelo, ni líneas telefónicas, líneas de gas, etc. que estén situadas debajo de la zona que usted ha elegido.

Instrucciones de instalación

1. Busque una zona plana y lisa para el montaje de la piscina. Asegúrese de que el suelo no tenga objetos afilados ya que pueden perforar la piscina.
2. Despliegue la piscina con cuidado en el lugar seleccionado y compruebe que no haya defectos de fabricación en las costuras del revestimiento.
3. Se recomienda dejar la piscina bajo la luz directa del sol durante 2 horas antes de instalarla (ver CONSEJO más arriba).
4. LEVANTE la lona de la piscina por el suelo. NO arrastre la lona de un sitio a otro.
5. Sitúe la piscina de manera que el orificio de la bomba esté de 10 a 21 pies (3 a 6,4 metros) de distancia de la toma de corriente.

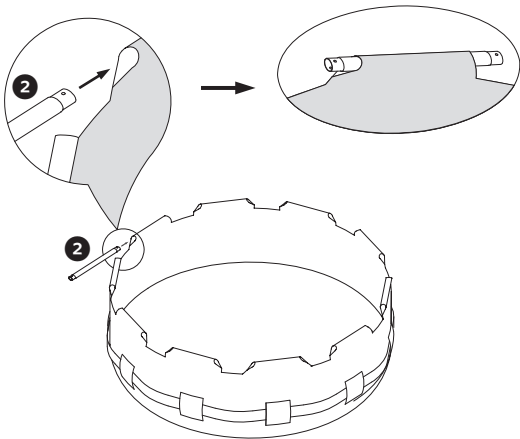
6. Inserte la pata vertical ③ en el tapón de pata ⑤.

7. Extienda todas las partes en el suelo como se muestra a continuación.

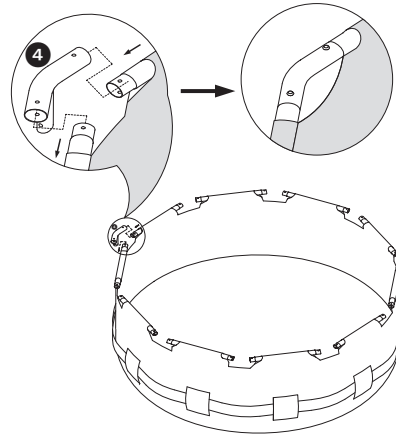


* Imagen solo para referencia

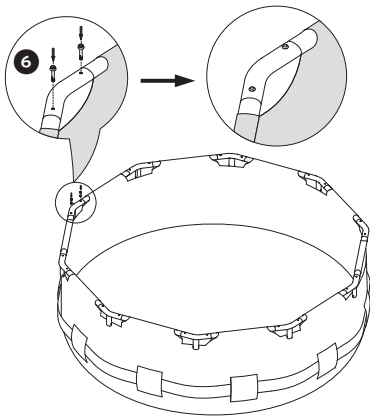
8. Deslice con cuidado las barras horizontales ② en las mangas de la piscina.



9. Conecte todas la pieza en T ④ con las barras horizontal ②.
IMPORTANTE: NO contiúe al prximo paso hasta que haya connoectado todas las piezas en T.

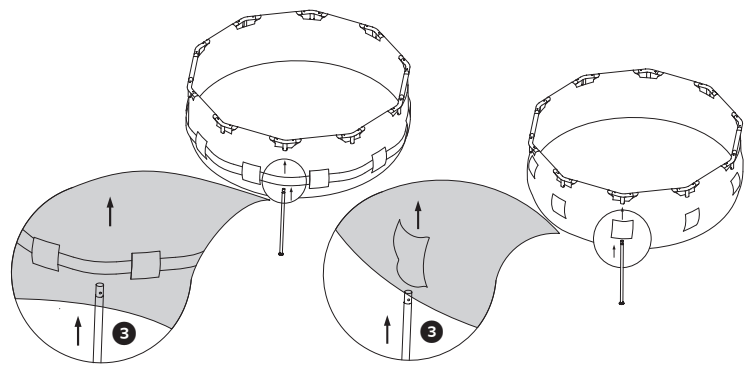


10. Inserte el perno ⑥ con la parte superior de las piezas en T hasta que encaje en la parte inferior del perno.

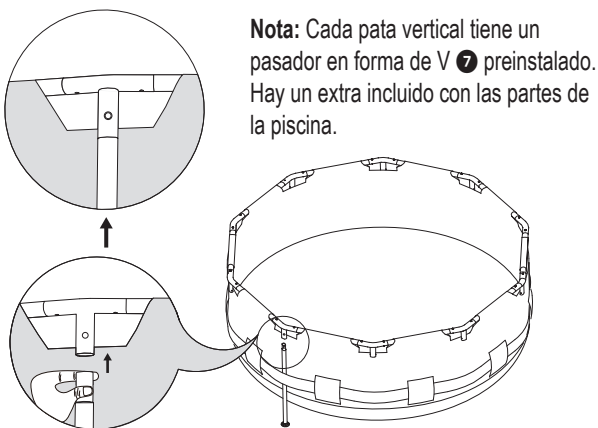


11. Deslice con cuidado la pata vertical ③ por la cinta que pasa por el medio de la piscina.

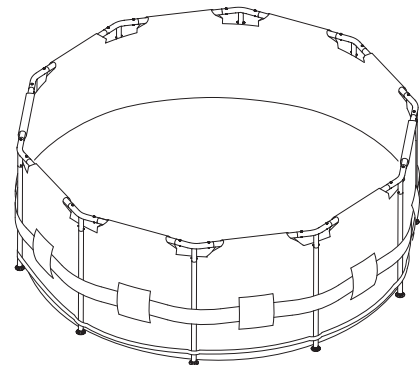
Consejos: En el caso de las piscinas más pequeñas que no tengan esa cinta, deslice la pata vertical por los mangas de la pared de la piscina.



12. Observe el orificio de la pieza a medida que lo inserte y gire el tubo hasta que los botones se alineen con los orificios, salten y coloquen la pierna en su posición.



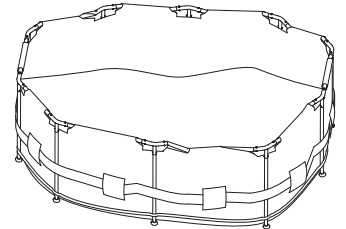
13. Rodee la piscina para comprobar la instalación correcta y el bloqueo seguro de todas las piezas, patas y barras. Asegúrese de que el accesorio de drenaje esté conectado y de que el capuchón esté puesto.



14. Llene la piscina con aproximadamente 2,54 cm (1") de agua. Deje de llenar y alise cualquier arruga del suelo de la piscina trabajando desde el centro hacia fuera, de modo que se llene uniformemente.
Nota: De acumularse una cantidad superior a entre 2,54 y 5,08 cm (1 a 2 pulgadas) de agua en cualquier lado antes de que la piscina empiece a llenarse por el centro, será indicativo de que la piscina no estará correctamente nivelada y deberán tomarse las medidas necesarias para corregirlo.
15. Instale el sistema de filtrado de acuerdo con el manual de instrucciones.
16. Continúe llenando la piscina hasta aproximadamente 20,32 cm (8") por debajo del borde superior.

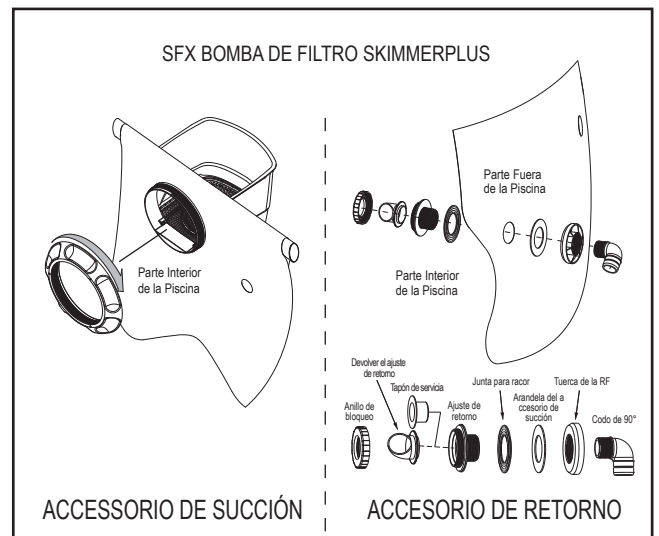
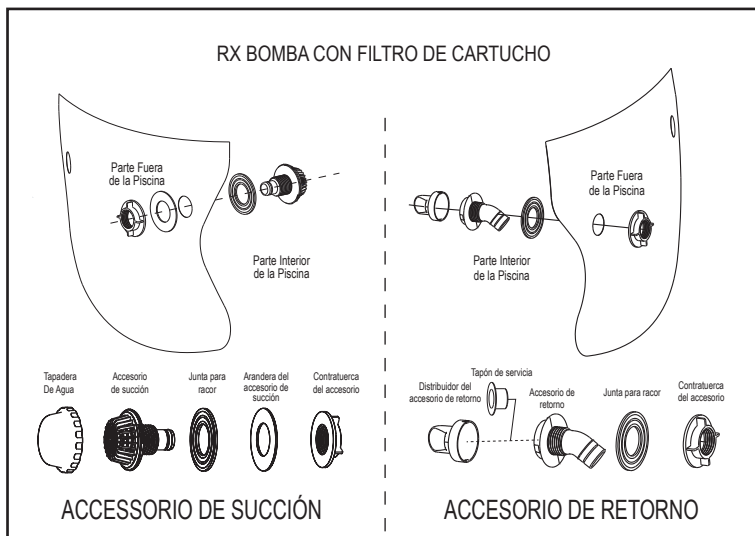
AL NO SEGUIR LOS PASOS DE ARRIBA HARÁ QUE LA PISCINA SE LLENE DE FORMA INCONDICIONAL Y LA PISCINA PUEDE RECARGARSE A UN LADO Y DERRUMBARSE (VER IMAGEN). SU PISCINA DEBE ESTAR DERECHA Y VERTICAL A LA TIERRA. SI SU PISCINA SE LLEGA A INCLINAR, EL SUELO PUEDE NO ESTAR NIVELADO Y USTED NECESITARÁ COMENZAR DE NUEVO.

EL NO SIGER LAS INSTRUCCIONES ANTERIORES CAUSARÁ QUE LA PISCINA SEDERRUMBE Y ANULARÁ LA GARANTÍA!



IMPORTANTE: ANTES DE LLENAR SU PISCINA CON AGUA POR FAVOR INSTALE EL ACCESORIO DE RETORNO Y DE SUCCIÓN A LA PARED DE LA PISCINA O INSTALE COMPLETAMENTE SU SISTEMA DE FILTRACIÓN.

Si su piscina incluye aberturas o si va a comprar un sistema de bomba de filtro, coloque las ubicaciones de las conexiones de succión y retorno de manera que estén a 10 a 21 pies del enchufe eléctrico que planea utilizar para la bomba de la piscina.
 Si su piscina vino con accesorios- Instale el accesorio de Retorno y de Succión a la pared de la piscina antes de llenarla.



AVISO: Para la Bomba De Filtro De Arena / Bomba De Filtro De Cartucho CP2000-C, siga las instrucciones que brinda el manual del usuario de la Bomba De Filtro De Arena / Bomba De Filtro De Cartucho CP2000-C para realizar la conexión. Consulte el manual de instrucciones de la bomba de agua para obtener más información.

Por favor Note: El empaque negro (Junta para racor) debe siempre estar sobre la rosca de Retorno o de Succión antes que el accesorio este puesto en la pared de la piscina para prevenir la fuga del agua.
 Compruebe que colocó tanto el tapón del agua como el tapón de servicio al llenar la piscina, o hasta que esté listo para incorporar el sistema de filtrado.

MANTENIMIENTO Y VACIADO DE LA PISCINA

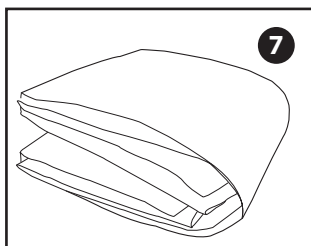
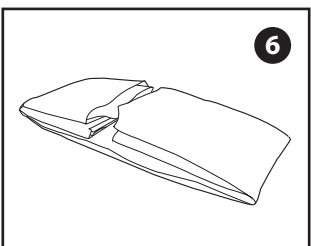
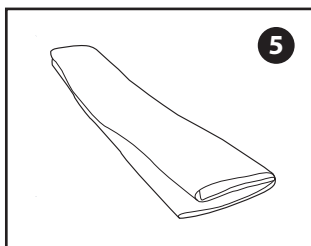
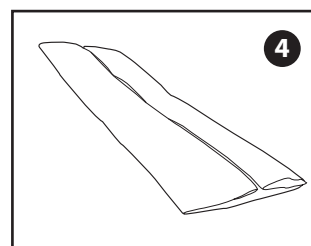
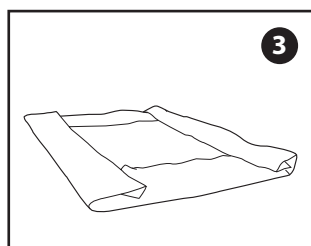
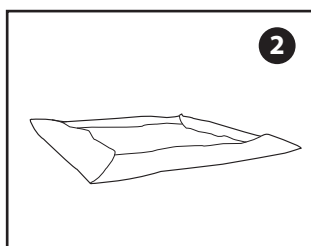
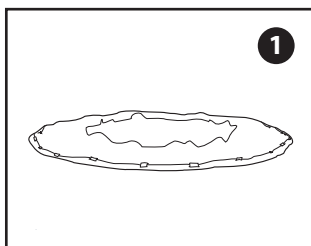
⚠ ATENCIÓN: SIGA SIEMPRE LAS INSTRUCCIONES DEL FABRICANTE EN CUANTO A PRODUCTOS QUÍMICOS Y LAS ADVERTENCIAS DE SALUD Y PELIGRO.

No añada productos químicos si hay personas en la piscina. Esto puede causar irritación de la piel y los ojos. Las soluciones de cloro concentrado pueden dañar la lona de la piscina. En ninguna circunstancia se hace responsable Polygroup®, el comprador o cualquier otra parte de los gastos asociados con la pérdida de agua de la piscina así como de productos químicos o daños por agua. Tenga a mano cartuchos de filtro de repuesto. Cambie los cartuchos cada dos semanas. Le recomendamos utilizar la Bomba de Filtrado Polygroup® con todas sus piscinas sobre el suelo. Para adquirir una bomba de filtración y otros accesorios de Polygroup®, puede visitar nuestra página web support.polygroupstore.com o llamar a la oficina de servicio al consumidor de Polygroup®.

EXCESO DE LLUVIA: Para evitar daños a la piscina y un llenado excesivo, vacíe inmediatamente el agua de lluvia que aumente el nivel más allá de la LÍNEA DE LLENADO.

Cómo vaciar su piscina y proceder con el almacenamiento a largo plazo

1. Compruebe la normativa local para obtener información específica sobre la eliminación del agua de piscina.
2. Asegúrese de que el tapón de drenaje situado en el lado interior de la piscina está bien colocado en su sitio.
3. Afloje y retire el tapón de la válvula de drenaje situada en el exterior de la piscina.
4. Conecte una manguera de jardín de 5/8 de pulgada de sección a la válvula de drenaje.
5. Posicione el extremo contrario de la manguera en un lugar donde el agua pueda drenarse de forma segura y no fluya hacia viviendas u otras estructuras cercanas.
6. Saque el tapón interno del tapón de desagüe para comenzar a vaciar la piscina.
7. Cuando el agua deje de salir, comience a levantar la piscina del costado opuesto a la válvula de desagüe, dirigiendo el agua restante hacia el desagüe hasta vaciar la piscina completamente.
8. Vuelva a colocar el tapón de drenaje de fuera de la piscina.
9. Desinfe completamente el anillo superior y retire todas las piezas de conexión. (si la tiene).
10. Asegúrese de que la piscina y todas las piezas están completamente secas antes de guardarla. Seque el revestimiento al aire libre y al sol hasta que esté completamente seco antes de doblarlo (véase el dibujo ①). Espolvoree un poco de polvos de talco para evitar que el vinilo se pegue y para que pueda absorber la humedad que pueda haber quedado.
11. Dóblelo en forma de cuadrado. Empezando por un lado, pliegue 1/6 parte del revestimiento sobre sí misma dos veces. Haga lo mismo por el otro lado (véanse los dibujos ② y ③).
12. Cuando haya doblado los lados opuestos, simplemente doble uno por encima del otro mismo si cerrara un libro (véanse los dibujos ④ y ⑤).
13. Doble las dos puntas largas hacia la mitad (véase el dibujo ⑥).
14. Doble una sobre la otra como si cerrara un libro y, por último, comprima el revestimiento (véase el dibujo ⑦).
15. Guarde el revestimiento y los accesorios en un lugar seco con la temperatura controlada (entre 0 y 40°C).
16. Puede utilizarse el embalaje original para guardar la piscina.



INVIERNO Y ALMACENAMIENTO DE LA PISCINA

Esta piscina por encima del suelo no se puede invernar y debe ser drenada, desmontada y almacenada apropiadamente si usted vive en un área donde la temperatura cae por debajo de 32°F (0°C). Si se encuentra en un ambiente más cálido, siga las siguientes instrucciones.


Después de su uso, puede fácilmente vaciar y guardar su piscina en un lugar seguro (ver almacenamiento a largo plazo por encima de). Algunos propietarios de la piscina, en climas más cálidos por ejemplo, puede optar por dejar su piscina durante todo el año. En áreas frías, donde las temperaturas de congelación ocurren, puede haber un riesgo de daño de hielo a su piscina. Dejar su piscina sobre el suelo establecida en áreas donde la temperatura cae por debajo de 32°F (0°C) anula la garantía.

Acondicionamiento de la piscina durante el invierno

1. Limpie el agua de la piscina a fondo.
2. Retire el skimmer (si lo tiene) y cualquier accesorio conectado al conector del filtro roscado. Sustituya la rejilla del filtro si es necesario. Asegúrese de que todas las piezas de los accesorios están limpias y completamente secas antes de guardarlas.
3. Cierre los accesorios de entrada y salida del interior de la piscina con el tapón suministrado (tamaños de 40,64 cm o menos). Cierre la válvula de vaciado del émbolo (tamaños de 43,18 cm o más).
4. Retire la escalera (si la tiene) y guárdela en un lugar seguro. Asegúrese de que la escalera está completamente seca antes de guardarla.
5. Retire las mangueras y conecte la bomba y el filtro a la piscina.
6. Añada los productos químicos adecuados para el período de invierno. Consulte con su distribuidor de piscinas local qué productos químicos debe usar y cómo utilizarlos. Esto puede variar mucho en cada región.
7. Cubra la piscina con la cubierta para piscinas Polygroup® **IMPORTANTE: LA CUBIERTA DE PISCINA Polygroup® NO ES UNA CUBIERTA DE SEGURIDAD.**
8. Limpie y drene la bomba, la cubierta del filtro y las mangueras. Retire y tire a la basura el cartucho de filtro viejo. Guarde un cartucho de repuesto para la próxima estación.
9. Meta las piezas de la bomba y del filtro en el interior y guárdelas en un lugar seco y seguro, preferiblemente entre 0°C (32°F) y 40°C (104°F).

SEÑAL DE SEGURIDAD DE LA PISCINA


COLOQUE ESTA ADVERTENCIA CERCA DE SU PISCINA




ADVERTENCIA

PROHIBIDO BUCEAR Y SALTAR AGUA POCO PROFUNDA

DIVING MAY RESULT IN PERMANENT INJURY OR DEATH



- Precaución.
- Los niños deben estar acompañados de un adulto.
- No nade mientras consume alcohol o drogas.
- Familiarícese con la piscina antes de nadar.
- No corra, salte ni haga juegos bruscos en la piscina o alrededor de ella.
- No utilice objetos de vidrio en la zona de la piscina.



PARA EVITAR LESIONES GRAVES TODOS LOS USUARIOS DE LA PISCINA DEBEN CONOCER
Y RESPETAR ESTAS NORMAS DE SEGURIDAD.

CUBIERTA PARA PISCINA

SI VA A UTILIZAR UNA CUBIERTA PARA PISCINA, CUBIERTA SOLAR O UNA MANTA SOLAR, LEA ESTA INFORMACIÓN.

ADVERTENCIAS SOBRE LA CUBIERTA PARA PISCINAS

ADVERTENCIA SOBRE LA CUBIERTA SOLAR

ADVERTENCIA SOBRE LAS MANTAS SOLARES

ADVERTENCIA

EVITE EL RIESGO DE AHOGAMIENTO

NO SE PARE SOBRE LA CUBIERTA Y EL COBERTOR: NO SOPORTARÁN EL PESO.

MANTENGA ALEJADOS A LOS NIÑOS. NO SE PUEDE VER SI HAY OBJETOS O NIÑOS DEBAJO DE LA CUBIERTA Y EL COBERTOR.

RETIRE EL AGUA ESTANCADA – LOS NIÑOS PUEDEN AHOGARSE SOBRE LA CUBIERTA.

RETIRE POR COMPLETO LA CUBIERTA Y EL COBERTOR ANTES DE ENTRAR A LA PISCINA: PODRÍA QUEDAR ATRAPADO.

LAS CUBIERTAS MAL ASEGURADAS O NO ASEGURADAS SON UN PELIGRO.

EL INCUMPLIMIENTO DE ESTAS INSTRUCCIONES PUEDE RESULTAR EN LESIONES O AHOGAMIENTO.

ESTA NO ES UNA CUBIERTA SEGURA.

INSTALE LA CUBIERTA Y EL COBERTOR CON LAS ETIQUETAS ORIENTADAS HACIA ARRIBA.

USE CORDONES PARA FIJAR LA CUBIERTA A LA PISCINA. ESTA CUBIERTA CUMPLE LOS REQUISITOS DESCRITOS EN LA ESPECIFICACIÓN F-1346 (ASTM).

MUY IMPORTANTE

NO USE CUBIERTAS PARA PISCINAS, CUBIERTAS SOLARES O MANTAS SOLARES EN ESTA PISCINA SI NO APARECE ESTE TIPO DE ETIQUETA DE ADVERTENCIA EN LA CUBIERTA.

PELIGRO:

La vigilancia responsable y el conocimiento de los requisitos de seguridad son el único modo de evitar ahogamientos o lesiones permanentes en el uso de este producto.

No deje nunca desatendidos a los niños.

