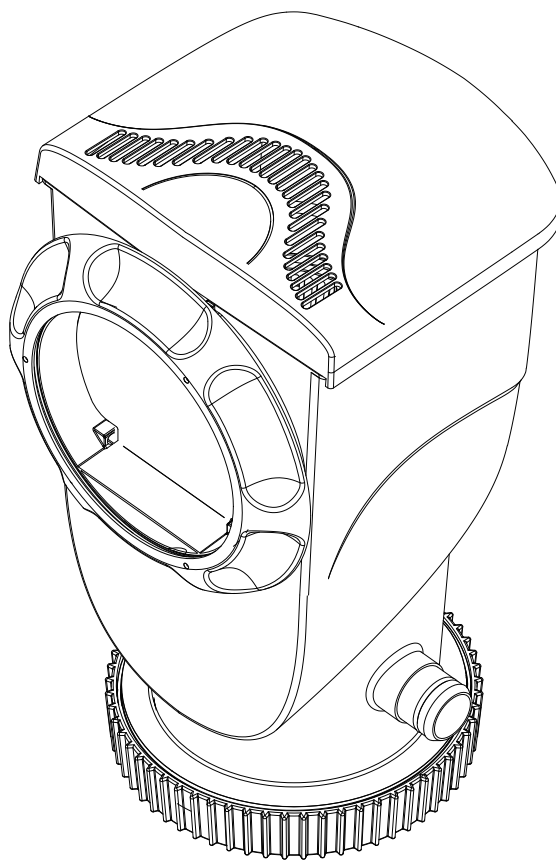


# SUMMER WAVES® SKIMMERPLUS® FILTER PUMP

FOR ABOVE GROUND SWIMMING POOLS  
SFX600 / SFX1000 / SFX1500 models



---

## READ AND KEEP THESE INSTRUCTIONS FOR FUTURE REFERENCE

---

For answers to common questions, setup videos and troubleshooting tips, please visit [support.polygroupstore.com](http://support.polygroupstore.com) or call Customer Service: **1-888-919-0070**

**DO NOT RETURN PRODUCT TO STORE**

To order parts and accessories,  
please visit [www.polygroupstore.com](http://www.polygroupstore.com)

Should you encounter a problem with your Polygroup® Product, please DO NOT return the product to the place of purchase. All warranty claims must be made directly to Polygroup®. For any setup and troubleshooting issues, please visit [support.polygroupstore.com](http://support.polygroupstore.com). Customer Service: 1-888-919-0070. You may be asked to return all or part of the product for inspection and/or repair. Do not return any product to Polygroup® without a Return Merchandise Authorization number.

## TABLE OF CONTENTS

Warnings .....	3 ~6
Preliminary steps, Important notes & Pump power info .....	7
Parts list .....	7 ~ 8
Setup instructions, Use of pump .....	9 ~ 10
Motor care, Pump maintenance .....	11
Filter cartridge use & care .....	11
Pool water care .....	12
Pump disassembly & storage .....	12 ~ 13
Pump servicing instructions .....	13 ~ 16
Troubleshooting guide .....	17
Replacement parts ordering info .....	18

### LIMITED WARRANTY

Polygroup® Trading Limited, (hereinafter “Polygroup®”) warrants to the original purchaser only, the SFX type Electric Filter Pump against defects in material and workmanship for 180 days from the date of purchase. Original Purchaser must retain proof of such purchase in the form of an original store sales receipt and must produce such upon request by Polygroup® or its designated agents. Warranty claims cannot be processed without a valid proof of purchase. This Limited Warranty applies only to the original purchaser of the product and is limited solely to the repair or replacement of the product, to be decided in Polygroup®’s sole discretion. Consequential damages, including claims for loss of water, pool chemicals, damage, or labor are not covered under this Limited Warranty. This Warranty will be declared invalid should the Purchaser modify or repair the product themselves or by unauthorized persons; use non-Polygroup® parts or accessories with the product; use the product in contravention of the manufacturer’s Instructions; use improper voltage; abuse the product in any way; or through accident or negligence. Normal wear-and-tear is not covered under this Warranty, nor are acts of God outside the control of Polygroup®. Polygroup® will not be held responsible for grasses that may grow through the ground cloth and/or pool liner, as this is not a manufacturing defect.

IN NO EVENT SHALL Polygroup®, THEIR AUTHORIZED AGENTS, RELATED ENTITIES, OR EMPLOYEES BE LIABLE TO THE BUYER OR ANY OTHER PARTY FOR DIRECT OR CONSEQUENTIAL DAMAGES. Some states or countries, or other jurisdictions, do not allow the exclusion or limitation of incidental or consequential damages, so the above limitation or exclusion may not apply to you.

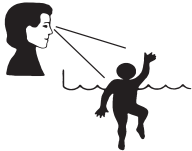
## IMPORTANT SAFETY INSTRUCTIONS

When installing and using this electrical equipment, basic safety precautions should always be followed, including the following:

### READ AND FOLLOW ALL INSTRUCTIONS

Keep for future reference. Failure to follow these warnings and instructions can result in serious injury or death to users, especially children.

## WARNING



### DANGER

#### PREVENT DROWNING!

CLOSELY WATCH CHILDREN WHO ARE IN OR NEAR THIS POOL. CHILDREN UNDER 5 ARE AT HIGHEST RISK FOR DROWNING. EMPTY POOL OR PREVENT ACCESS WHEN NOT IN USE.

#### NO DIVING!

SHALLOW WATER YOU CAN BREAK YOUR NECK AND BE PARALYZED.

### WARNING

**DO NOT SIT ON OR LAY OVER POOL WALL**  
YOU CAN BE PERMANENTLY INJURED.

**AVOID ENTRAPMENT!**  
STAY AWAY FROM DRAINS & SUCTION FITTINGS. YOUR HAIR, BODY & JEWELRY CAN GET SUCKED INTO DRAIN. YOU COULD BE HELD UNDER WATER & DROWN. DO NOT USE POOL IF DRAIN OR SUCTION OUTLET COVER IS MISSING OR BROKEN.

**NOTICE:** CUSTOMERS THAT PURCHASE POOLS MAY BE REQUIRED BY LOCAL OR STATE LAW TO INCUR ADDITIONAL EXPENSES WHEN INSTALLING A POOL, IN ORDER TO COMPLY WITH STATE OR LOCAL LAWS REGARDING FENCING AND OTHER SAFETY REQUIREMENTS. CUSTOMERS SHOULD CONTACT THEIR LOCAL BUILDING CODE ENFORCEMENT OFFICE FOR FURTHER DETAILS. POLYGROUP® IS NOT RESPONSIBLE FOR ANY ADDITIONAL EXPENSES THAT YOU MAY INCUR.

## Safety Care for Children

1. Children, especially children younger than five years, are at high risk of drowning. Drowning occurs silently and quickly and can occur in as little as 2 in (5 cm) of water.
2. Keep children in your direct sight, stay close, and actively supervise them when they are in or near this pool and when you are filling and emptying this pool.
3. When searching for a missing child, check the pool first, even if the child is thought to be in the house.
4. Locate pumps and filters in such a way that children cannot climb on them and gain access to the pool.
5. **WARNING:** To reduce the risk of injury, do not permit children to use this product unless they are closely supervised at all times.

## Swimming Pool Barriers

### Very Important:

Swimming pool barriers, which restrict access to the pool by small children, may be required by law. A barrier is necessary to provide protection against potential drowning and near drowning. Barriers are not a substitute for constant supervision of children. Check state or local laws and codes before setting up pool.

## Swimming Pool Equipment

1. The use of artificial pool lighting is at the discretion of the pool owner. Lighting, when installed, should be in accordance with Article 680 of the National Electrical Code (NEC) or its latest approved edition and in consultation with a licensed electrical professional.
2. Keep all electrical lines, radios, speakers, and other electrical appliances away from the pool.
3. Do not place pool near or under overhead electrical lines.
4. All electrical components installed in and/or adjacent to an aboveground/onground residential swimming pool shall be installed in accordance with and shall comply with the requirements of the latest published edition of NFPA 70, National Electrical Code (NEC®) Article 680 "Swimming Pools, Fountains, and Similar Installations", and any state or local code.

## Filter Pump Awareness

1. **WARNING:** Risk of Electric Shock. Connect only to a grounding type receptacle. This product is provided with a ground-fault circuit-interrupter. If replacement of the plug or cord is needed, use only identical replacement parts.
2. **WARNING:** To reduce the risk of electric shock, replace damaged cord immediately.
3. **WARNING:** To reduce the risk of electric shock, do not use extension cord to connect unit to electric supply; provide a properly located outlet.
4. **CAUTION:** To reduce the risk of electric shock, the pool must be installed no closer than 6 feet (1.8m) from any electrical outlet. Do not place portable appliances closer than 5 feet (1.5m) from the pool.
5. **CAUTION:** This pump is for use with storable pools only. Do not use with permanently-installed pools. A storable pool is constructed so that it is capable of being readily disassembled for storage and reassembled to its original integrity. A permanently-installed pool is constructed in or on the ground or in a building such that it cannot be readily disassembled for storage.

6. **CAUTION:** For continued protection against possible electric shock, this unit is to be mounted to the base in accordance with the installation instructions.
7. Do not bury cord. Locate cord to minimize abuse from lawn mowers, hedge trimmers, and other equipment.
8. The unit is provided with a ground-fault circuit-interrupter (GFCI). To test the GFCI, push the test button. The GFCI should interrupt power. Push the reset button. Power should be restored. If the GFCI fails to operate in this manner, the GFCI is defective. If the GFCI interrupts power to the pump without the test button being pushed, a ground current is flowing, indicating the possibility of an electric shock. Do not use this pump. Disconnect the pump, and have the problem corrected by a qualified service representative before using.
9. The Filter Pump is to be assembled by an adult; care should be taken in the unpacking and assembling of the Filter Pump. This pool may contain accessible potentially hazardous sharp edges or sharp points that are a necessary part of the function of the Filter Pump.
10. If a drain or suction outlet cover is missing or broken, do not use the pool. Suction can cause body part entrapment, hair and jewelry entanglement, evisceration, or drowning. Repair or replace the drain or suction outlet cover before allowing the pool to be used. During nighttime pool use, artificial lighting shall be used to illuminate all safety signs, ladders, steps, deck surfaces, and walks.
11. The floor of the pool shall be visible at all times from the outside perimeter of the pool.
12. Post a list of emergency telephone numbers such as the nearest available police, fire, ambulance, and/or rescue unit. These numbers are to be kept near the telephone, which is closest to the pool.
13. Basic lifesaving equipment, including one of the following should be on hand at all times:
  - A light, strong, rigid pole (shepherd's crook) not less than twelve feet (12') [366cm] long.
  - A minimum one-fourth inch (1/4") [6.35 mm] diameter rope as long as one and one half (1 1/2) times the maximum width of the pool or fifty feet (50') [15.24 meters], whichever is less, which has been firmly attached to a Coast Guard-approved ring buoy having an outside diameter of approximately fifteen inches (15") [38.1 cm], or similarly approved flotation device.
14. Pool shall be located at a minimum distance of 6ft (1.83m) from any receptacle, and all 125-volt 15- and 20-ampere receptacles located within 20ft (6.0m) of the pool shall be protected by a ground fault circuit interrupter (GFCI), where distances are by measuring the shortest path the supply cord of an appliance connected to the receptacle would follow, without piercing a floor, wall, ceiling, doorway with hinged or sliding door, window opening, or other effective permanent barrier, to the inside pool wall.

## Circulation Systems

1. Installers shall follow written instructions regarding positioning of all equipment connected to the circulation systems.
2. The installer shall follow written instructions provided for operating the circulation system components.
3. All circulation system components and pump that require replacement or servicing shall be installed according to the pump's instruction manual.
4. Circulation equipment shall be installed per manufacturer's instructions to provide proper mounting and support, to prevent damage from misalignment, settlement, and vibration, and to minimize the potential for the accumulation of debris and moisture. Please refer to pump's instruction manual.

## Chemicals

For safety sake, ensure the deepest part of the pool is always visible. The user must properly maintain the clarity of the pool water at all times. Check the pH and chlorine levels periodically and make sure they are within the recommended limits. Additional water treatment chemicals might be needed from time to time. Have the water sample tested by a local pool supply store to determine if additional chemical is needed. Turn on the pump for the recommended hours daily. If you are unsure of the time frames please refer to [support.polygroupstore.com](http://support.polygroupstore.com) for the recommended Pump Operation Hours based on pool types and sizes. Clean and replace filter cartridge frequently. Replace only with genuine Polygroup® / Summer Waves® Brand filter cartridge. Refer to the Filter Pump manual for additional water care information.

## Entrapment Risk

1. **Entrapment Avoidance:** There shall be no protrusions or other obstruction in the swimming area, which may cause entrapment or entanglement of the user. If a suction outlet cover is missing or broken, do not use the pool. Suction can cause body part entrapment, hair and jewelry entanglement, evisceration, or drowning. Repair or replace the suction outlet cover before allowing the pool to be used.
2. **DANGER! TO AVOID SERIOUS INJURY OR DEATH, CLOSE THE POOL OR SPA TO BATHERS IF ANY SUCTION OUTLET COVER/GRATE IS MISSING, BROKEN, OR INOPERATIVE.**
3. Never play or swim near drains or suction fittings. Your body or hair may be trapped causing permanent injury or drowning.
4. Never enter the pool or spa if a suction fitting or drain cover is loose, broken, or missing.
5. Immediately notify the pool/spa owner or operator if you find a drain cover loose, broken, or missing.

## Drowning Risk

1. Keep unsupervised children from accessing the pool by installing fencing or other approved barriers around all sides of pool. State or local laws or codes may require fencing or other approved barriers. Check state or local laws and codes before setting up pool.
2. Toys, chairs, tables, or similar objects that a young child could climb shall be at least four feet (4') [121.92 cm] from the pool. The pump filter system shall be positioned so as to prevent it being used as a means of access to the pool by young children. Do not leave toys inside pool when finished using, since toys and similar items might attract a child to the pool.
3. Position furniture (for example: tables, chairs) away from pool and so that children cannot climb on it to gain access to the pool.

## Electrocution Risk

1. Keep all electrical lines, radios, speakers, and other electrical appliances away from the pool.
2. Do not place pool near or under overhead electrical lines.

## First Aid

1. Keep a working phone and a list of emergency numbers near the pool.
2. Become certified in cardiopulmonary resuscitation (CPR). In the event of an emergency, immediate use of CPR can make a lifesaving difference.

## Special Warning

1. Local building codes may require obtaining a building or electrical permit. Installer shall follow regulations on setback, barriers, devices, and other conditions.
2. Safety signs shall comply with requirements of ANSI-Z535 and use signal wording.
3. DO NOT attempt to assemble this pool in adverse weather conditions, windy conditions, or when the temperature is below 60°F.
4. This is a storable filter pump, which should be disassembled and stored when temperatures are expected to fall below 32°F.

## Extra Safety Warning

1. Adult supervision is always required.
2. Parents should learn CPR.
3. Keep all electrical radios, speakers, and other appliances away from the swimming pool.
4. When you touch the filter, pump, or electrical parts, be sure the ground under your feet is "Bone Dry."
5. All electrical outlets should have a GFCI, and connections should be a minimum of 6 feet (1.83 m) from the outside perimeter of the wall of the pool.  
From 6–10 feet (1.83–3.05 m), there should be either a fixed connection (outlet box) or twistlock connection with a GFCI.
6. Connect power cords to a 3-wire grounding-type outlet only.
7. Keep all breakable objects out of the pool area.
8. Alcohol consumption and pool activities do not mix. Never allow anyone to swim, dive, or slide under the influence of alcohol or drugs.
9. Severe electrical shock could result if you install your pump or filter on a deck. The pump or filter could fall into the water, causing severe shock or electrocution.
10. Do not install on a deck or other surface at, above, or slightly below the top rail of the pool.
11. Do not use the filter pump during severe weather conditions, i.e. electrical storms, tornadoes, etc.
12. Be aware of overhead power lines when vacuuming your pool or using a telescoping pole.
13. Check regularly for signs of wear or loose bolts that could make the deck unsafe.
14. Please contact pool site dealer or manufacturer for additional safety signs if deemed necessary.
15. For pool service, select a certified pool professional. For additional safety information, see [www.APSP.org](http://www.APSP.org)

## Consumer Awareness Booklets and Information Source

**Contact:** U.S. Consumer Product Safety Commission at [www.cpsc.gov/safety-education/safety-guides/pools-and-spas](http://www.cpsc.gov/safety-education/safety-guides/pools-and-spas), Pub. #362 "Safety Barrier Guidelines for Home Pools."

1. The Sensible Way to Enjoy Your Above-ground/On-ground Swimming Pool.
2. Children Aren't Waterproof.
3. Layers of Protection.
4. Pool and Spa Emergency Procedures for Infants and Children.
5. Be Safety Aware.

Copies of the above brochures are available free from the APSP at [www.APSP.org](http://www.APSP.org)

## Safety Education Programs and Materials

Educational programs and materials (i.e., seminars, workshops, brochures, videos, instructional guides) are available from the APSP, other aquatic safety groups, and by private firms. As a means of communicating useful safety information to pool owners/operators, and users, industry members are permitted to provide such information to owners/operators and to request or require owners/operators to sign a statement that they have received, read, and will follow the guidelines.

### Other sources of safety information:

- [www.cdc.gov](http://www.cdc.gov)
- [www.cpsc.gov](http://www.cpsc.gov)
- [www.drowningpreventionalliance.com](http://www.drowningpreventionalliance.com)
- [www.nspf.org](http://www.nspf.org)
- [www.safekids.org](http://www.safekids.org)

### ANSI American National Standards Institute

25 West 43rd Street, New York NY 10036

Contact: 212-642-4900

[www.ansi.org](http://www.ansi.org)

### APSP Association of Pool & Spa Professionals

(formerly National Spa and Pool Institute)

2111 Eisenhower Avenue, Suite 500

Alexandria VA 22314-4679

Contact: 703-838-0083

[www.apsp.org](http://www.apsp.org)

**ASME American Society of Mechanical Engineers**

Two Park Avenue, New York NY 10016-5990  
Contact: 800-843-2763 (U.S. & Canada) 973-882-1170 (outside North America)  
[www.asme.org](http://www.asme.org)

**NSPI National Spa and Pool Institute (see APSP)****UL Underwriters Laboratories**

333 Pfingsten Road, Northbrook IL 60062-2096  
Contact: 877-854-3577 or 847-272-8800  
[www.ul.com](http://www.ul.com)

**NSF NSF International**

P.O. Box 130140  
789 N. Dixboro Road  
Ann Arbor MI 48105  
Contact: 800-673-6275 or 734-769-8010  
[www.nsf.org](http://www.nsf.org)

**ASTM ASTM International (formerly American Society of Testing & Materials)**

100 Barr Harbor Drive, P.O. BOX C700  
West Conshohocken, PA 19428-2959  
Contact: 877-909-2786 (USA & Canada) or 610-832-9585 (International)  
[www.astm.org](http://www.astm.org)

**NEC National Electrical Code (see NFPA)**

NFPA National Fire Protection Association  
1 Batterymarch Park, Quincy MA 02169-7471  
Contact: 800-344-3555 (U.S. & Canada) or 617-770-3000 (International)  
[www.nfpa.org](http://www.nfpa.org)

## Filtration Systems

Any equipment connected to the circulation systems shall be positioned so as to prevent their being used as a means of access to the pool by young children. (See the latest published edition of ANSI/APSP-8 Model Barrier Code for Residential Swimming Pools, Spas, and Hot Tubs.)

## Barrier

Barriers are necessary to provide protection against potential drowning and near drowning, and barriers are not a substitute for the constant supervision of children. (See latest published edition of ANSI/APSP-8 Model Barrier Code for Residential Swimming Pools, Spas, and Hot Tubs.)

## Risk of Drowning, Entrapment, and Diving Accidents

Publications are available that describe the risk of drowning, entrapment, and diving accidents. Available publications related to pool safety include the Association of Pool and Spa Professionals' (APSP) booklets entitled: The Sensible Way to Enjoy Your Above-ground/On-ground Swimming Pool, Children Aren't Waterproof, Pool and Spa Emergency Procedures for Infants and Children, Layers of Protection, and the latest published edition of ANSI/APSP-8 Model Barrier Code for Residential Swimming Pools, Spas, and Hot Tubs.

## Installer Responsibilities

All of these components shall be positioned so as to prevent their being used as a means of access to the pool by young children. (See Barrier Code for Residential Swimming Pools, Spas, and Hot Tubs.)

# SAVE THESE INSTRUCTIONS

## PRELIMINARY STEPS

1. READ ALL INSTRUCTIONS CAREFULLY and get a thorough understanding of what is required to assemble your Filter Pump.
2. It is recommended to have some petroleum jelly (not included) on hand for lubricating the gaskets and o-rings.

## FILTER PUMP IMPORTANT NOTES

1. The installer shall follow the written instructions provided for the operation of the filter pump system.
2. All electrical components shall be installed in accordance with Article 680 of the 2017 National Electrical Code® (NEC®) or its latest approved edition.
3. The maximum capacity of 1" diameter chlorine tablets of Polygroup®'s patented Filter Cartridge 7 (U.S. Pat. 7,005,062):
  - a. Type D cartridges: 2
  - b. Type A/C cartridges: 6

Check your chlorine levels to determine the adequate number of chlorine tablets to add. The Cartridge will automatically dispense chlorine into the pool as the Pump runs. You must use a filter cartridge with a central core mesh divider (see p. 8) to dispense chlorine.

The Filter Cartridge 7 is for dispensing 1" chlorine tablets ONLY. DO NOT use this Cartridge to dispense powdered chlorine, shock treatment, or any other types of chemicals as this will damage the pump, filter cartridge and pool.

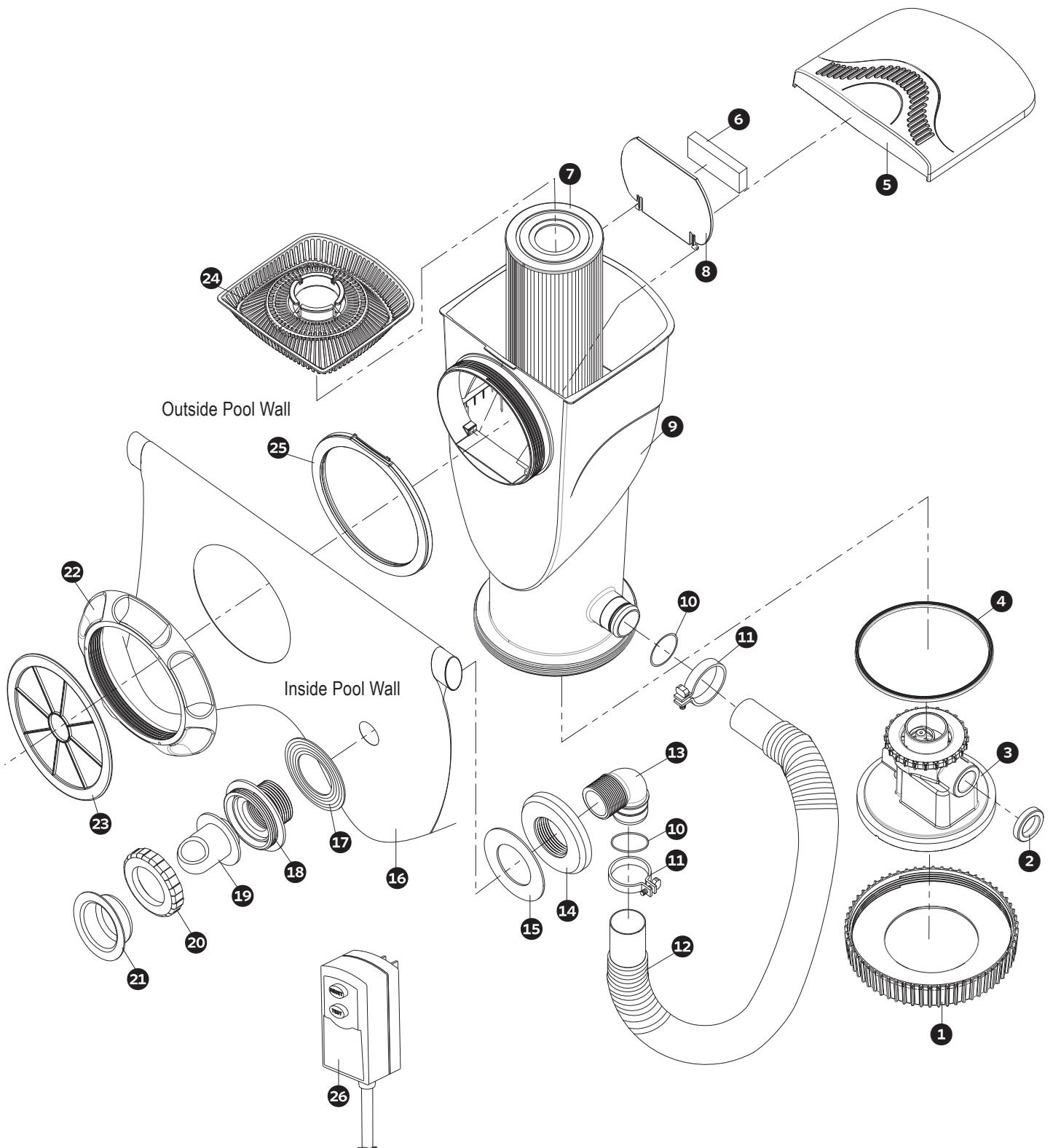
4. This Filter Pump is manufactured by Polygroup® and ETL control number 4000608 and 4006317 – double insulated and grounded – 120VAC 60Hz. All units must have a minimum of 105VAC to start and run properly.

## FILTER PUMP POWER INFO

Model	Wattage	Amperage
SFX600	70 Watts	1.7 Amps
SFX1000	115 Watts	1.4 Amps
SFX1500	180 Watts	3.1 Amps

## PARTS LIST

Items	Parts Name	Qty.	Items	Parts Name	Qty.
1	Motor Seal Nut	1	14	RF Nut	1
2	Rubber Nozzle	1	15	RF Thrust Washer	1
3	Pump Motor Assembly	1	16	Pool Wall (for reference only)	1
4	Canister Gasket / Motor Seal	1	17	RF Gasket (black)	1
5	Top Cover	1	18	Return Fitting (RF), threaded	1
6	Weir Foam	1	19	RF Diverter	1
7	Type D Filter Cartridge (SFX600 only)	1	20	RF Locking Ring, threaded	1
	Type A/C Filter Cartridge (SFX1000 or SFX1500)		21	Service Plug	1
8	Weir	1	22	Skimmer Seal Ring	1
9	Skimmer Canister	1	23	Water Stopper	1
10	Hose Connection O-Ring	1	24	SFX Skimmer Strainer Basket	1
11	Hose Clamp	2	25	Skimmer Gasket Rubber Seal	1
12	Return Hose	1	26	GFCI Power Cord Set	1
13	90° Elbow	1			





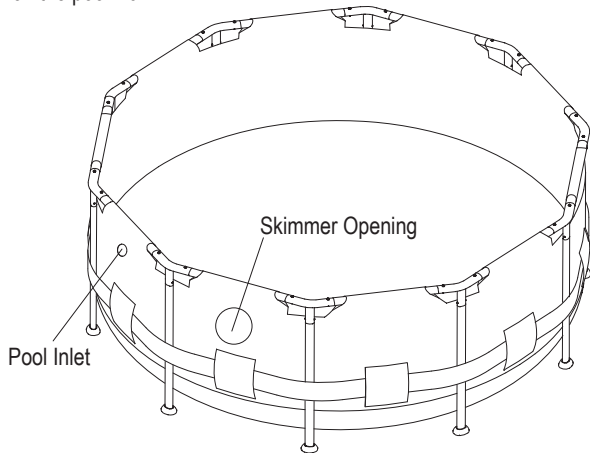
## SETUP INSTRUCTIONS

Before assembly, take a few minutes to identify and become familiar with all the parts.

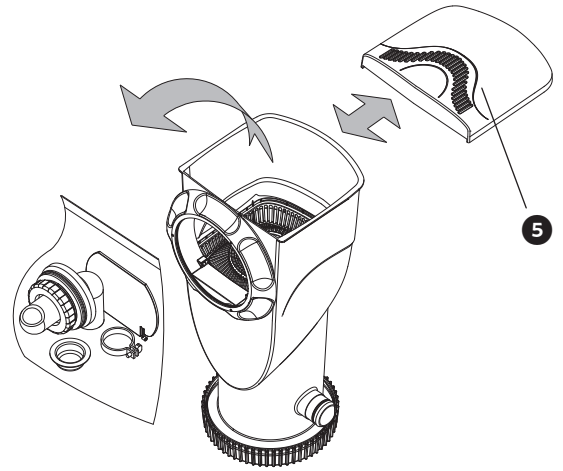
**⚠ WARNING:** CLIMBING HAZARD! PLEASE PREVENT CHILDREN FROM CLIMBING ON THE FILTER CANISTER TO GAIN ACCESS TO THE POOL.

### Skimmer Installation

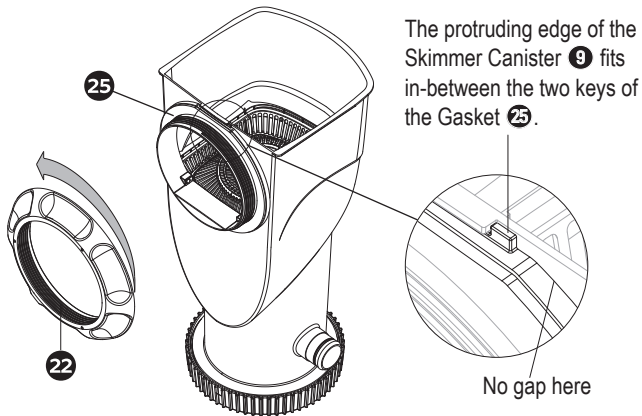
1. Set up your pool following the pool Owner's Manual instructions. Do NOT fill water until the Filter Pump is properly installed. Locate the Skimmer Opening on the pool wall.



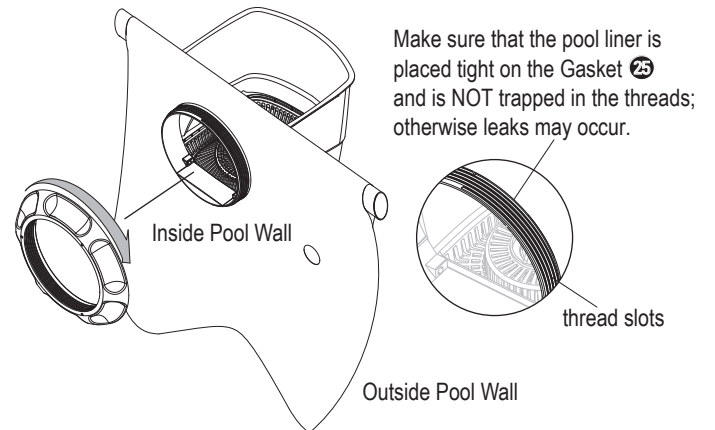
2. Slide open the Top Cover **5** and take out the parts inside.



3. Turn counterclockwise to remove the Skimmer Seal Ring **22**. Make sure the Skimmer Gasket Rubber Seal **25** is in the correct position.

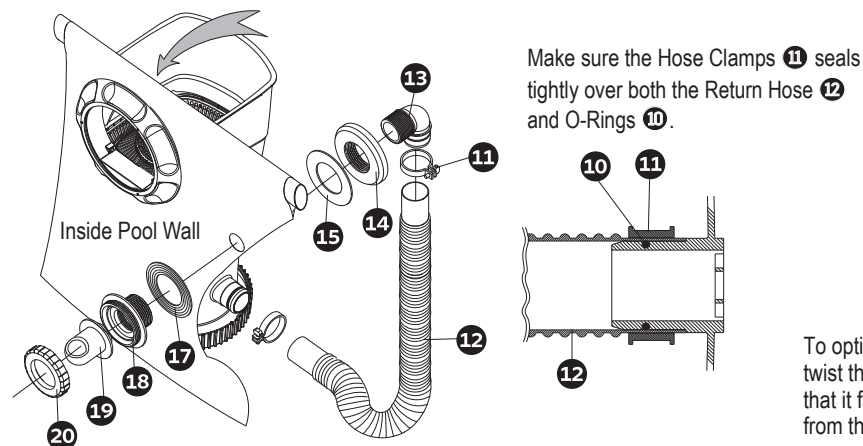


4. Insert the threaded part of the Skimmer Canister **9** through the Skimmer Opening, and then secure with the Skimmer Seal Ring **22**.

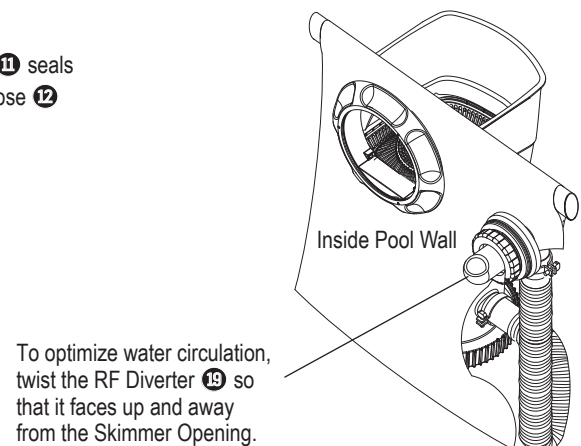


### Return Fitting Installation

5. Assemble the Return Fitting **18** as indicated below.

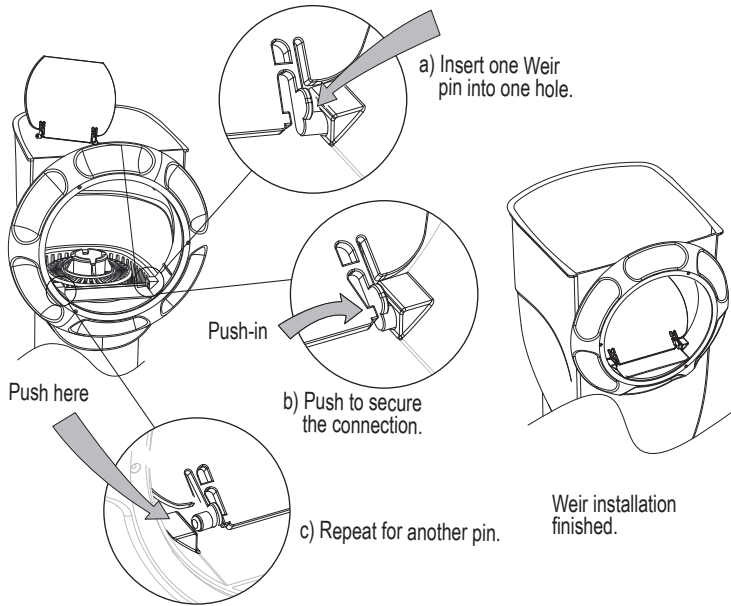


6. Now the Pump should be installed outside the pool wall as below.

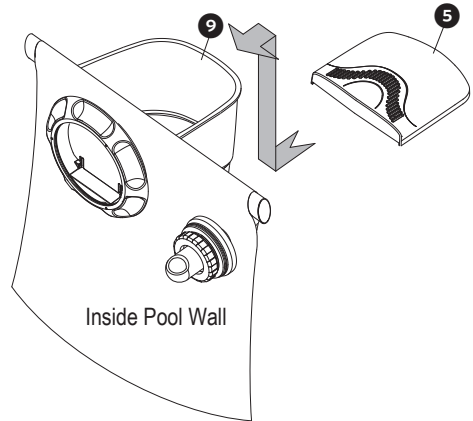


## Pump Installation

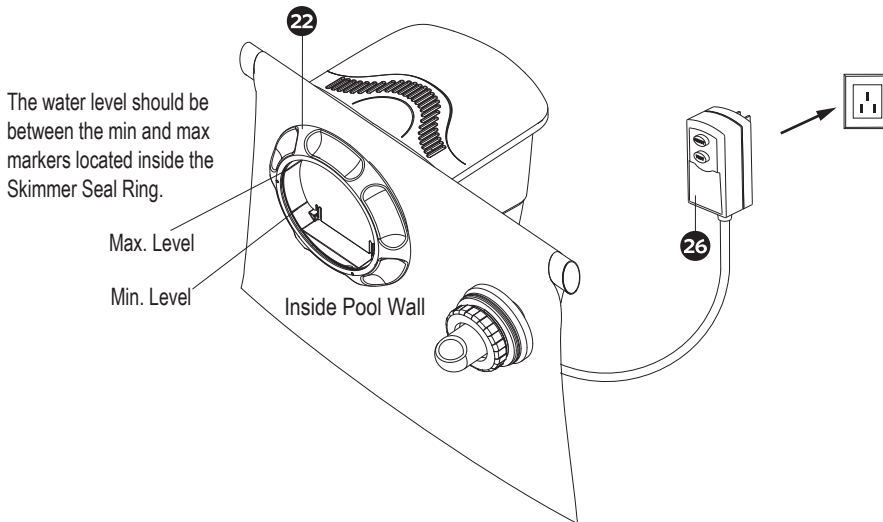
7. From inside the Skimmer Canister **9**, snap the pins of the Weir **8** into the pivot slots, one after another. The Weir should now stand upright but not stuck.



8. Slide close the Top Cover **5** onto the Skimmer Canister **9**.

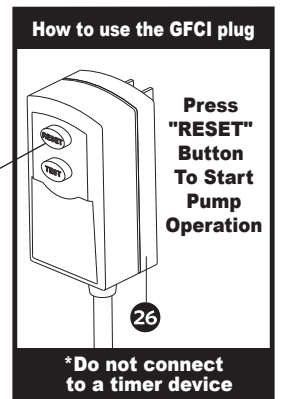
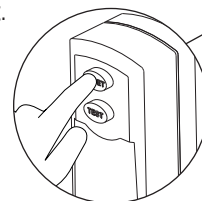


9. You can now fill the pool with water up to between the MIN and MAX markings on the inside of Skimmer Seal Ring **22**.



## USE OF PUMP

1. Plug the GFCI Power Cord Set **26** to a properly grounded receptacle at least 15 feet (4.5m) away from the pool.
2. To turn on the Pump, press the RESET button of the GFCI Plug.
3. From inside the pool, check if the water flow from the RF Diverter **19** is correct. It should feel like a solid stream of water returning to the pool. If not, or if you feel a reduction in flow, clean or replace the Filter Cartridge **7**. For details, see **FILTER CARTRIDGE USE & CARE (p. 11)** as well as Symptom 2 of **TROUBLESHOOTING GUIDE (p. 17)**.
4. To turn the Pump off, press the TEST button of the GFCI Plug, and unplug it from the power outlet.
5. **VERY IMPORTANT:** Check and adjust the pH and chlorine levels daily. **FILTER PUMP ALONE WILL NOT PREVENT ALGAE FROM GROWING IN POOL WATER; THIS CAN ONLY BE DONE BY MAINTAINING PROPER CHLORINE AND pH LEVELS AT ALL TIMES.** For details, see **POOL WATER CARE (p. 12)**.



**IMPORTANT:** Do NOT connect to a timer device!

## PUMP MOTOR CARE

**IMPORTANT!** This Skimmer Filter Pump is protected by a thermal switch, a safety device that stops the pump from running when it's overheated, to prevent pump damage and prolong service life. If your pump turns off automatically, it's likely the pool water temperature is too high or the water flow through the pump is insufficient for cooling the pump down. Check and correct the water flow, let the motor rest for at least 15 minutes and then restart the pump by pressing the RESET button of the GFCI Plug, or run the pump at night when the temperature is lower. If pump turns off automatically again, inspect if the rotor is blocked by dirt.

## PUMP MAINTENANCE

1. Check the pump output daily. If water flow reduces, see Symptom 2 of **TROUBLESHOOTING GUIDE** (p. 17).
2. Check the Pump, Hoses and Fittings for leaks. If a leak is found, see Symptom 4 of **TROUBLESHOOTING GUIDE**.
3. It's essential to replace any damaged parts as soon as possible. Use only spare parts from approved, reliable dealers, or from **polygroupstore.com**
4. Inspect the filter and all filter media regularly to ensure that there's no build-up of detritus that prevents good filtration. See **FILTER CARTRIDGE USE & CARE** below.
5. Run the Pump for the recommended number of hours daily. If you are unsure of the time frame, please see **Pump Operation Hours** at **support.polygroupstore.com**

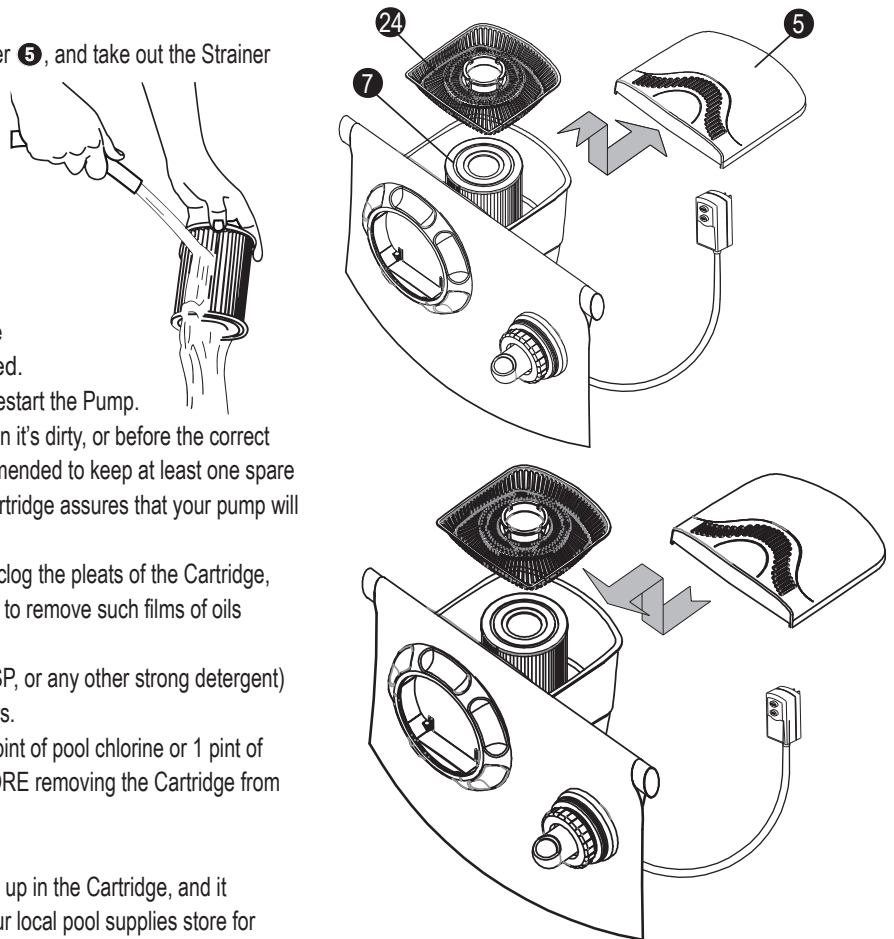
## FILTER CARTRIDGE USE & CARE

1. To clean the Filter Cartridge **7**:
  - a. Turn off and unplug the Pump. Slide open the Top Cover **5**, and take out the Strainer Basket **24** and Filter Cartridge.
  - b. Pressure wash the Cartridge thoroughly (including between the pleats) with a garden hose to remove larger debris. Then allow the Cartridge to dry, and carefully brush away smaller and fine particles of dirt. Do NOT scrub the pleats, or the Cartridge will wear out faster than it should.
  - c. To ensure pool water stays clean, please clean the filter cartridge every day and change when required.
  - d. Reassemble the parts in reverse order. Then you can restart the Pump.
2. You may need to clean or replace the Filter Cartridge when it's dirty, or before the correct chlorine and pH levels are attained. Therefore, it's recommended to keep at least one spare cartridge on hand at all times. A clean, well-maintained cartridge assures that your pump will always be ready to operate at peak efficiency.
3. Suntan oils, body oils and algae can quickly build up and clog the pleats of the Cartridge, reducing the filtration efficiency. Therefore, it is imperative to remove such films of oils and/or algae.
 

**To remove oils:** mix 1 pound of tri-sodium phosphate (TSP, or any other strong detergent) and 5 gallons of water, and soak the Cartridge for 12 hours.

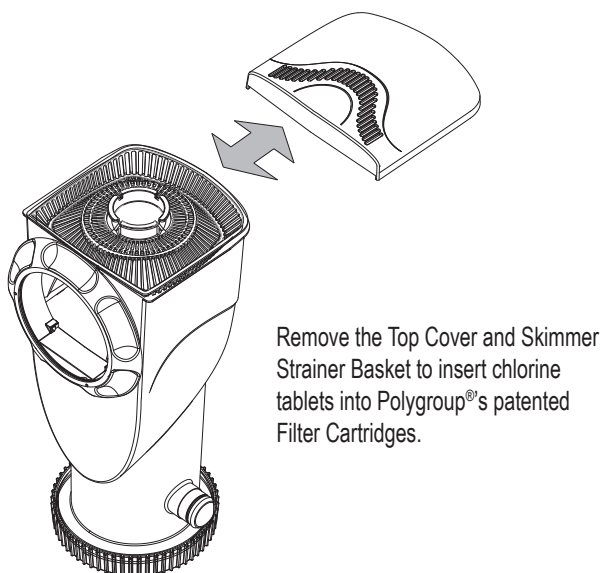
**To remove oils AND algae:** same as above, and add ½ pint of pool chlorine or 1 pint of liquid household bleach to the solution ONE HOUR BEFORE removing the Cartridge from the solution.

Thoroughly rinse the Cartridge before reusing it.
4. Excessive calcium and/or mineral deposits may also build up in the Cartridge, and it requires to be handled differently. Contact and consult your local pool supplies store for solutions/treatment, and maintain an adequate pH level of pool water (see **POOL WATER CARE**, p. 12).
5. Dispose of any used filter media in accordance with applicable regulations/legislation.
6. Always use genuine Polygroup® Summer Waves® Filter Cartridges; they are available at where you purchased your pool or from **polygroupstore.com**



## POOL WATER CARE

1. The following items are required to get your pool ready for use. They are available at [polygroupstore.com](http://polygroupstore.com) or your local pool supplies stores:
  - a. **Test kit** – for checking the chlorine and pH levels of the pool water
  - b. **Floating chlorine dispenser (not included) and chlorine tablet** – for water disinfection and prevention of the growth of algae
  - c. **pH control chemicals** – for adjusting the pH level up (soda ash) or down (acid)
  - d. **Algacides** – to eliminate algae
  - e. **Superchlorinator** – to destroy (“shock”) the combined chlorine, ammonia, nitrogen, and organic compounds that build up in pool water over time and with extended use
  - f. **Leaf net with handle** – for removing leaves, trash, insects, etc. from the pool
2. **IMPORTANT:** it is a **MUST** to maintain the chlorine and pH levels at all times:
  - a. Check and adjust the pH and chlorine levels daily. **FILTER PUMP ALONE WILL NOT PREVENT ALGAE FROM GROWING IN POOL WATER; THIS CAN ONLY BE DONE BY MAINTAINING PROPER CHLORINE AND pH LEVELS AT ALL TIMES.**
  - b. **Recommended pH level:** between 7.3 and 7.8
  - c. **Recommended chlorine level:** between 1.0 and 1.6 ppm
  - d. Superchlorinate your pool at least every other week.
  - e. Hot weather and heavy use may require the pH and chlorine levels to be maintained on the upper side of the scale as well as a weekly superchlorination.
  - f. Using a pool and/or solar cover will help maintain the pH and chlorine levels by reducing evaporation of pool water.
  - g. **CAUTION:** High chlorine concentration and low pH level will damage the pool/pool liner. You must follow the instructions on quantity and safe usage of the pool chemicals you use.  
**NEVER** drop lumps or pellets of chemicals into the pool – this may present a hazard to the swimmers and/or damage your pool liner.
3. Clean your pool regularly using a maintenance kit with vacuum. You can get the kit from [polygroupstore.com](http://polygroupstore.com)
4. Using a foot bath prior to entering the pool will help keep the pool clean.
5. Avoid using well water. If you must use well water, always seek professional advice from your local pool chemical suppliers before chemicals into it.
6. Find out the water capacity (in gallon) of your pool from the pool Owner’s Manual. You will need it to determine the amount of chemicals required, or when you contact a pool supplies expert for water testing and advice on safe use of chemicals.  
**NOTE:** Always follow the manufacturer label directions of the chemicals you choose to use.



## PUMP DISASSEMBLY & STORAGE

1. Turn off the Pump, and unplug it from the power outlet.
2. Disassemble the return fittings **11-20** :
  - a. Loosen the Hose Clamps **11**, detach the Hose **12**, and drain any remaining water.
  - b. Remove, clean and dry all the parts. Liberally lubricate the RF Gasket **17** with petroleum jelly. Then snap all the parts together in sequence.
3. Disassemble the Pump:
  - a. Slide open the Top Cover **5**, take out the Strainer Basket **24**, Filter Cartridge **7** and any chlorine tablets left inside, and detach the Weir **8**. Clean and dry all the parts, and liberally lubricate the Skimmer Gasket Rubber Seal **25** with petroleum jelly. Then reassemble them back onto the Skimmer Canister **9**.

- b. Remove the Motor Assembly **3** by turning open the Motor Seal Nut **1**. Clean and dry completely the Pump.  
Then see **STEP 3: Pump Reassembly/Replacement (p. 15-16)** to reassemble the Motor into the Canister.
4. Store all the parts in a dry place that remains above 32°F (0°C) at all times.

## PUMP SERVICING INSTRUCTIONS

The most efficient way to troubleshoot or replace the Pump is to disassemble the entire filtration system. Please drain the water level to below the pool's Skimmer Opening, then disassemble the system following the steps below.

### CAUTION:

1. You may get wet.
2. Please read and follow the instructions carefully. Incorrect handling may cause damages resulting in leaks between the Skimmer Canister **9** and the pool wall.
3. REMEMBER TO KEEP ALL THE PARTS IN A SAFE PLACE FOR REASSEMBLY LATER.

### STEP 1: Removal of Motor Assembly **3**

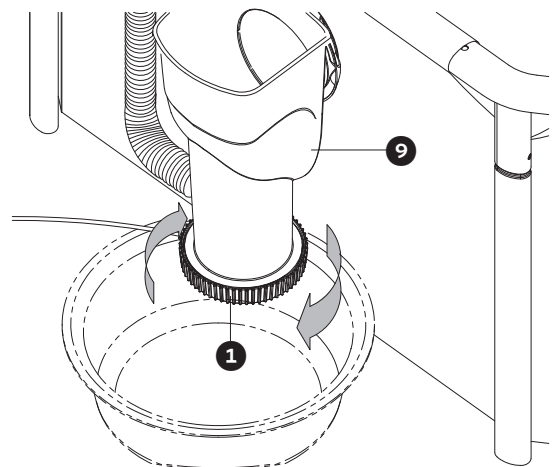
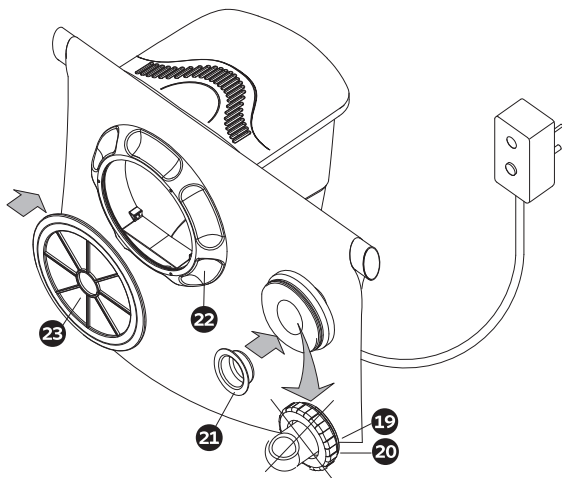
1. Turn the Pump off, and unplug it from the power outlet.
2. Slide open the Skimmer Top Cover **5**, remove the Strainer Basket and the Filter Cartridge and any chlorine tablets left inside.
3. At the Return Fitting **18**:
  - a. Unscrew and remove the RF Locking Ring and RF Diverter. Then insert the Service Plug to block the water flow.
  - b. Loosen the Hose Clamp attaching to the 90° Elbow **15**. Carefully detach the Hose, and let the water drain from the Hose and the Canister.

NOTE: you may also detach the other end of Hose attaching to the Canister, but it is not required.
4. Unscrew the Skimmer Seal Ring **22** to remove the entire filtration system from the pool.
5. Flip the Canister upside down. Unscrew the Motor Seal Nut **1** and take out the Motor Assembly.

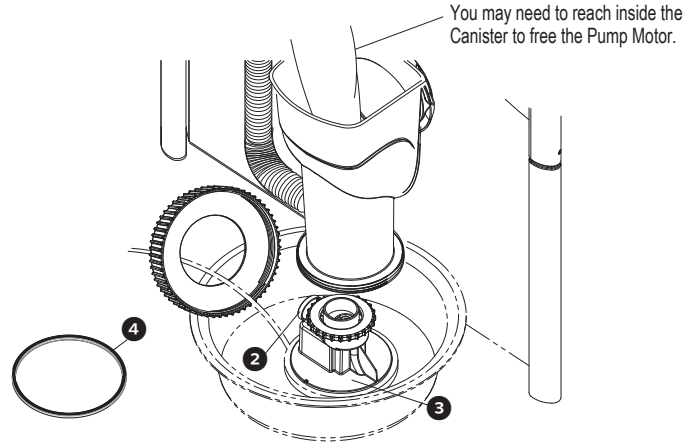
**IF YOU PREFER TO LEAVE THE SYSTEM ATTACHED TO THE POOL, please follow the process below instead.**

**CAUTION:** you will need two people for some of the steps. Incorrect handling may cause damages resulting in leaks between the Skimmer Canister **9** and the pool wall.

1. Turn the Pump off, then unplug it from the power outlet.
2. Block the water flow:
  - a. Unscrew and remove the RF Locking Ring **20** and RF Diverter **19**.  
Then insert the Service Plug **21** to block the water flow.
  - b. Push the Water Stopper **23** tightly into the Skimmer Seal Ring **22**.
3. Put a water container (not included) under the Skimmer to collect water. Slide open the Top Cover **5**, and take out the Strainer Basket **24** and Filter Cartridge **7**.
4. Have one person holding the Water Stopper and Skimmer Canister **9**, while the other person unscrews the Motor Seal Nut **1**.  
**CAUTION: DO NOT PUSH OR PULL THE CANISTER** as this may cause damage between the Canister and pool liner.



5. Slowly take out the Motor Assembly ③. Be careful not to lose the Rubber Nozzle ② or Canister Gasket ④.



### STEP 2: Rotor Inspection/Replacement

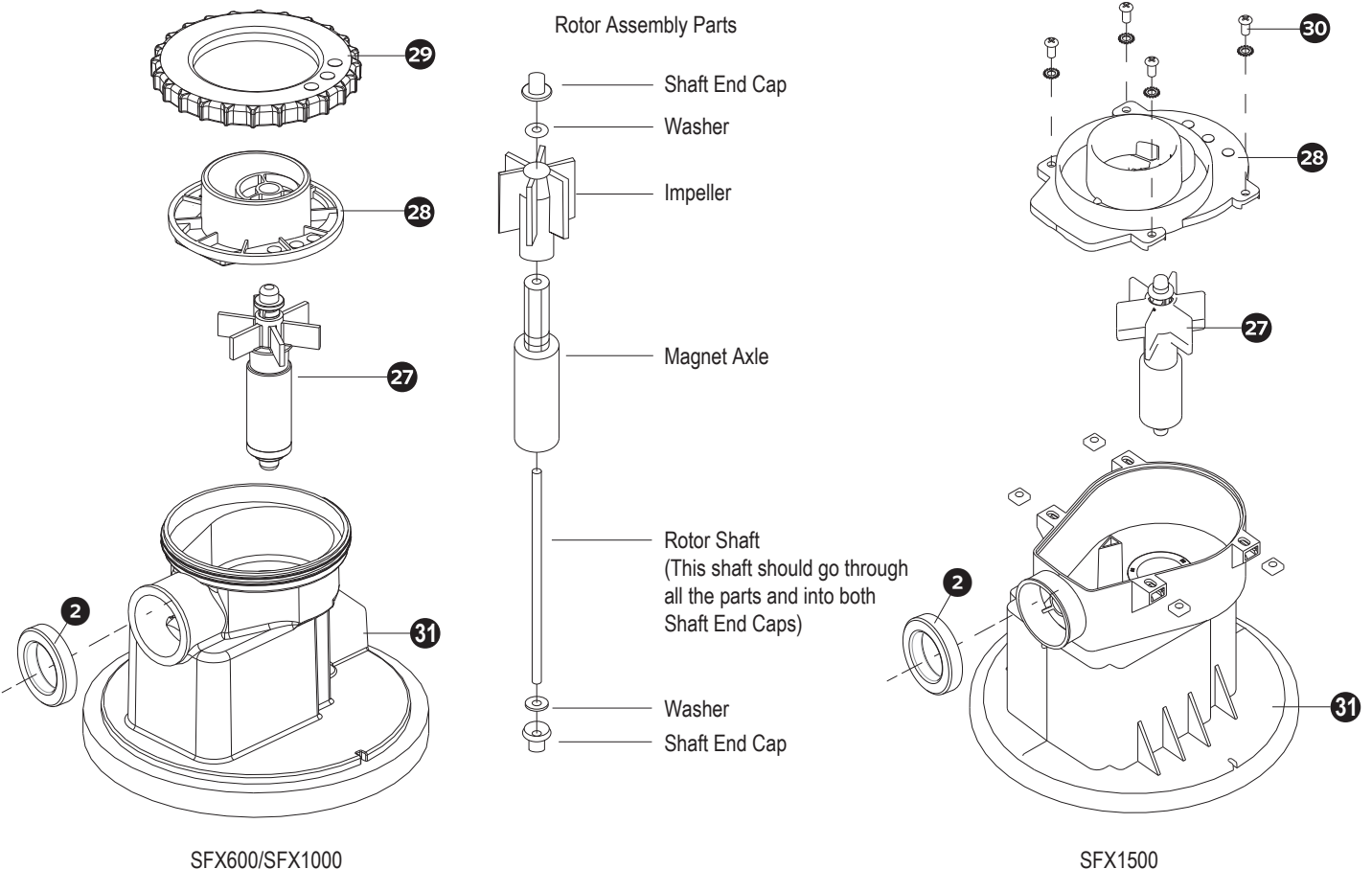
The Pump ③ is consisted of a Rotor Assembly ②⑦ and its related parts. If the Rotor and/or its parts is/are broken, or the Rotor, even in perfect condition, is not seated in place between the Volute Cover ②⑧ and Pump Body ③①, the Pump will not function properly.

1. Loosen the Volute Cover Lock Nut ②⑨ or Bolts ③⑩ (depends on he pump model), and remove the Volute Cover ②⑧.
2. Pull the Rotor Assembly ②⑦ out from the Pump Body ③①.

Inspect the Rotor (see image below) to make sure that the Rotor Shaft, Magnet Axle, Impeller and other parts are intact. If either of them is broken, you can purchase a new Rotor Assembly at [polygroupstore.com](http://polygroupstore.com) without having to replace the whole Pump.

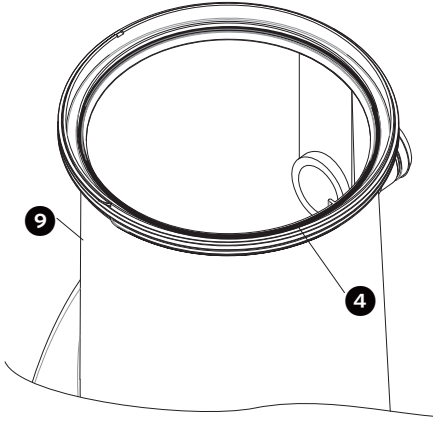
For more details, please see **Pool Support – Filtration System Troubleshooting** at [support.polygroupstore.com](http://support.polygroupstore.com)

3. Once the inspection or replacement is done, carefully insert the Rotor Assembly ②⑦ back into the Pump Body ③①. The force of the magnet will pull the Rotor down in place.
4. Align the Volute Cover ②⑧ with the top Shaft End Cap, then tighten with the Volute Cover Lock Nut ②⑨ or Bolts ③⑩ (depends on the pump model).
5. Attach the Rubber Nozzle ② to the outlet of the Pump Body ③①.

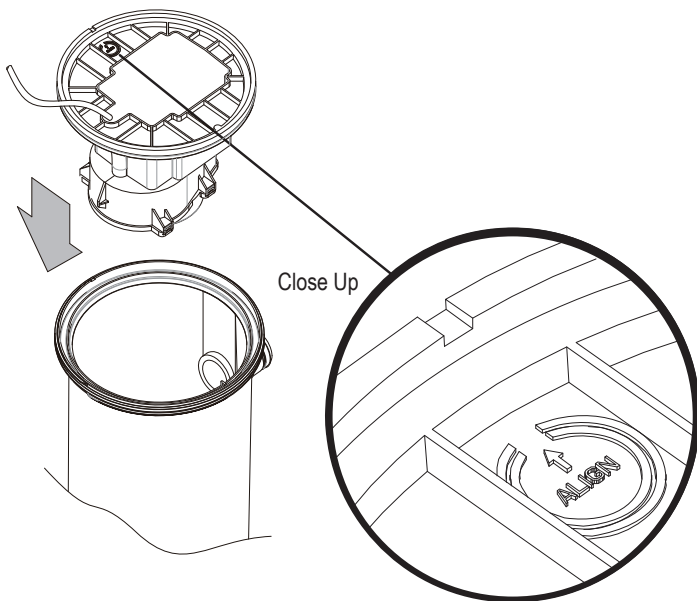


## STEP 3: Pump Reassembly/Replacement

1. Lubricate the Canister Gasket ④, then insert it back into the groove (inner groove for SFX600/SFX1000) at the bottom of the Skimmer Canister ⑨.

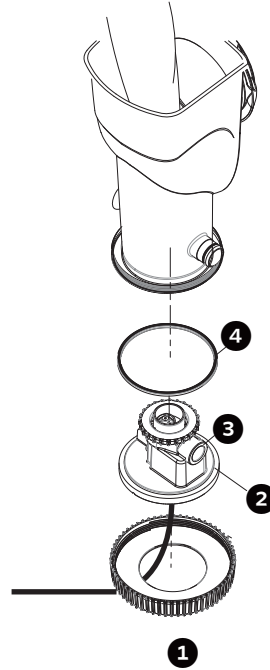


- 2a. If your Pump is removed from the pool, slowly insert the Motor Assembly back into the upside-down Canister. There's an indent on the inside of Canister (only visible from bottom), which needs to be aligned with an indent at the bottom of the Motor (marked "ALIGN"); to this end, make sure that the arrow of the "ALIGN" mark is pointing to the Canister indent.



**BOTTOM VIEW OF PUMP & CANISTER**

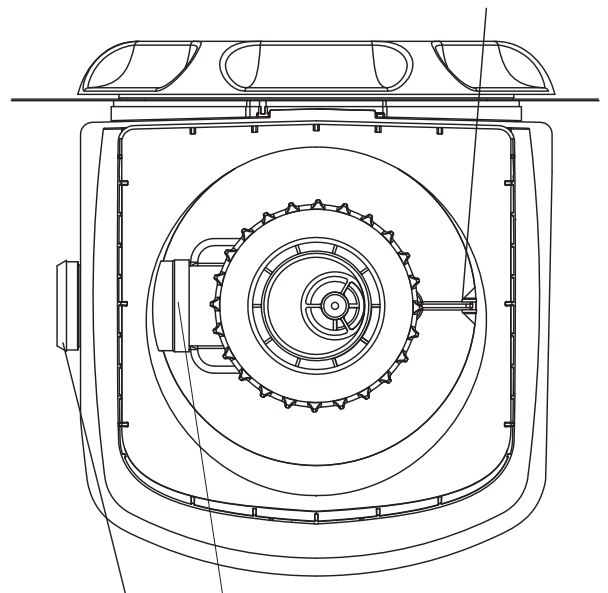
**IMPORTANT: make sure that the cord of the Motor Assembly ③ is placed through the Motor Seal Nut ① BEFORE replacing the Pump.**



- 2b. If your Pump is left attached to the pool, reach in through the Canister to pull the Motor Assembly up and insert it back into the Canister. Make sure that the key of the Canister is slotted into the notch on the Pump to align the Rubber Nozzle ② with the hose opening of the Canister, otherwise the Pump may leak even already locked in place.

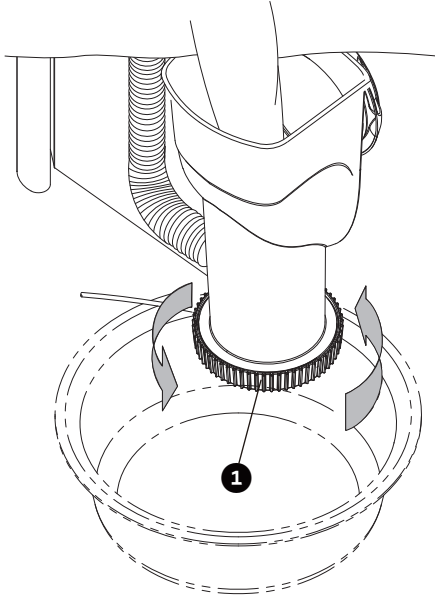
**TOP VIEW**

Make sure that the key of the Canister is slotted into the notch on the Pump



Outlet of Canister and Rubber Nozzle ② on the pump should be aligned.

3. Once the Motor is correctly aligned, match the threads of the Motor Seal Nut **1** to that of the Canister, and tighten by twisting the Nut counterclockwise.  
**IMPORTANT:** make sure the Nut and Canister are not cross-threaded; otherwise leaks may occur.





## TROUBLESHOOTING GUIDE

**⚠ WARNING:** UNPLUG THE POWER CORD BEFORE TROUBLESHOOTING THE FILTER PUMP.

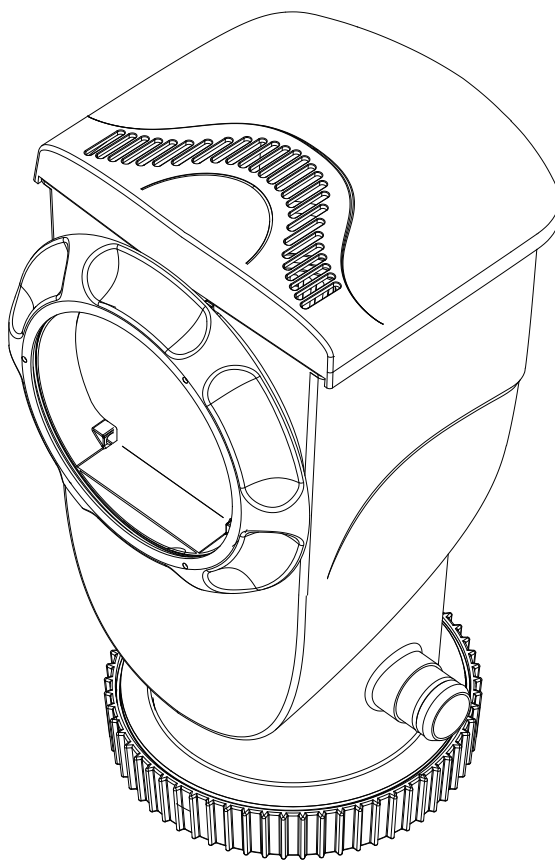
Problem	Cause	Solution
1. Pump Motor ③ doesn't start, or kicks on and off	A Pump not plugged in	A Plug the GFCI Power Cord Set ⑫ to a grounded power outlet. Then press the RESET button to start the Pump.
	B GFCI Power Cord Set ⑫ and/or circuit breaker tripped	B Reset your circuit breaker on the electrical panel. If problem persists, have the circuit checked by a qualified electrician.
	C Low Voltage	C Check and make sure the line voltage is between 105VAC and 125VAC.
2. No or slow water flow from the Return Fitting ⑬	A Low pool water level	A Water level must be between the MIN and MAX lines on the Skimmer Seal Ring ⑭.
	B Clogged water inlet/outlet	B Check for obstructions at the Strainer Basket ⑮, Filter Cartridge ⑦, Hose ⑫ and Return Fitting ⑬.
	C The Filter Cartridge ⑦ is too dirty	C Clean or replace the Cartridge following the steps of <b>FILTER CARTRIDGE USE &amp; CARE</b> (p. 11).
	D Motor Rotor block by dirt	D Refer to pump servicing instructions to clean dirt.
3. Pump is not cleaning the pool properly e.g. cloudy/green water	A Inadequate chlorine level	A Maintain the chlorine level between 1.0 and 1.6 ppm.
	B Inadequate pH level	B Maintain the pH level between 7.3 and 7.8
	C The Filter Cartridge ⑦ is too dirty	C Clean or replace the Cartridge following the steps of <b>FILTER CARTRIDGE USE &amp; CARE</b> (p. 11).
	D The Filter Cartridge ⑦ is damaged	D Inspect the Cartridge for holes or tears. If it's visibly damaged, replace it with a new one.
	E Water flow is slow	E Check for obstructions at the Strainer Basket ⑮, Filter Cartridge ⑦, Hose ⑫ and Return Fitting ⑬.
	F Other chemicals required	F Have your pool water sample tested by a pool supplies store. You may need to add other chemicals since water quality varies in different localities.
	G Pool water is too dirty	G Chemicals are essential to keep the pool water clean. Clean the pool and filter more often.
4. Water leakage at	A Hose ⑫ – Hose connections with Skimmer Canister ⑨ and/or 90° Elbow ⑬ are not secured	A Check that the Hose Clamps ⑪ are properly tightened over both the Hose and the Hose Connection O-Rings ⑩; adjust and retighten if necessary. Also, check the Hose for cracks or holes and replace as needed.
	B Bottom of Canister ⑨	B See <b>STEP 3: Pump Reassembly/Replacement, p. 15-16:</b> B1. The Canister Gasket ④ must sit in the groove (inner groove for SFX600/SFX1000) on the bottom of the Canister before installing the pump. B2. Check Pump alignment. The arrow of the Pump indent (marked "ALIGN") <b>MUST</b> point to the Canister indent (only visible from bottom). B3. Make sure the Motor Seal Nut ① is not cross-threaded.
	C Between Canister ⑨ and pool wall	C Make sure the Skimmer Gasket Rubber Seal ⑮ is installed properly. See <b>SETUP INSTRUCTIONS (3) &amp; (4), p. 9:</b> - The two keys of the Gasket should be at the top. - The pool liner is not trapped in the threads. - No gaps between the Gasket and the Canister. - The Skimmer Seal Ring ⑭ is firmly tightened onto the Canister.

## REPLACEMENT PARTS ORDERING INFO

Key	Description	SFX600	SFX1000	SFX1500
		Part #		
1	Motor Seal Nut	P58PP1954W05	P58PP1954W05	P58PP1954W05
		P58PP19548UN	P58PP19548UN	P58PP19548UN
		P58PP19547CN	P58PP19547CN	P58PP19547CN
2	Rubber Nozzle	P58182601K01	P58182601K01	P58185201K01
3	Pump Motor Assembly	P58X0601C000	P58X1001C000	P58X1500C000
4	Canister Gasket / Motor Seal	P58147800K01	P58147800K01	P58164800K01
5	Top Cover	P58PP1950W05	P58PP1950W05	P58PP1950W05
		P58PP19508UN	P58PP19508UN	P58PP19508UN
		P58PP19507CN	P58PP19507CN	P58PP19507CN
6	Weir Foam	P58SFX002W01	P58SFX002W01	P58SFX002W01
7	Type D Filter Cartridge (SFX600 only)	P581041037PR	--	--
	Type A/C Filter Cartridge (SFX1000 & SFX1500)	--	P581041080PR	P581041080PR
8	Weir	P58PP1956W05	P58PP1956W05	P58PP1956W05
		P58PP19568UN	P58PP19568UN	P58PP19568UN
		P58PP19567CN	P58PP19567CN	P58PP19567CN
9	Skimmer Canister	P58PP1984W05	P58PP1951W05	P58PP1983W05
		P58PP19848UN	P58PP19518UN	P58PP19838UN
		P58PP19847CN	P58PP19517CN	P58PP19837CN
10	Hose Connection O-Ring	P58030001K01	P58037000K01	P58037000K01
11	Hose Clamp	P58220221W05	P58219221W05	P58219221W05
		P582202218UN	P582192218UN	P582192218UN
		P582202217CN	P582192217CN	P582192217CN
12	Return Hose	P58125009W01	P58150012W01	P58150012W01
13	90° Elbow	P58PF1740W05	P58PF1700W05	P58PF1700W05
		P58PF17408UN	P58PF17008UN	P58PF17008UN
		P58PF17407CN	P58PF17007CN	P58PF17007CN
14	RF Nut	P58PF1690W05	P58PF1690W05	P58PF1690W05
		P58PF16908UN	P58PF16908UN	P58PF16908UN
		P58PF16907CN	P58PF16907CN	P58PF16907CN
15	RF Thrust Washer	P58PF2960W05	P58PF2960W05	P58PF2960W05
		P58PF29608UN	P58PF29608UN	P58PF29608UN
		P58PF29607CN	P58PF29607CN	P58PF29607CN
16	Pool Wall (for reference only)	--	--	--
17	RF Gasket (black)	P58PF1730K01	P58PF1730K01	P58PF1730K01
18	Return Fitting (RF), threaded	P58PF1680W05	P58PF1680W05	P58PF1680W05
		P58PF16808UN	P58PF16808UN	P58PF16808UN
		P58PF16807CN	P58PF16807CN	P58PF16807CN
19	RF Diverter	P58PF1721W05	P58PF1721W05	P58PF1721W05
		P58PF17218UN	P58PF17218UN	P58PF17218UN
		P58PF17217CN	P58PF17217CN	P58PF17217CN
20	RF Locking Ring, threaded	P58PF1710W05	P58PF1710W05	P58PF1710W05
		P58PF17108UN	P58PF17108UN	P58PF17108UN
		P58PF17107CN	P58PF17107CN	P58PF17107CN
21	Service Plug	P58PF0620K01	P58PF0620K01	P58PF0620K01
22	Skimmer Seal Ring	P58PP1953W05	P58PP1953W05	P58PP1953W05
		P58PP19538UN	P58PP19538UN	P58PP19538UN
		P58PP19537CN	P58PP19537CN	P58PP19537CN
23	Water Stopper	P58PP2163K01	P58PP2163K01	P58PP2163K01
24	SFX Skimmer Strainer Basket	P58PP1952P01	P58PP1952P01	P58PP1952P01
25	Skimmer Gasket Rubber Seal	P58PP1957W05	P58PP1957W05	P58PP1957W05
27	Rotor Assembly	P58050137001	P58050505001	P58050506001
28	Volute Cover	P58PF1009K01	P58PF1009K01	P58184501K01
29	Volute Cover Screws (SFX600 & SFX1000)	P58PF1010K01	P58PF1010K01	--
30	Volute Cover Bolt And Nut Set (SFX1500 only)	--	--	P5800400080A
*	For SFX Series Filter Pump sold separately	P53FX0609W05	P53FX1009W05	P53FX1509W05
		P53FX06098UN	P53FX10098UN	P53FX15098UN
		P53FX06097CN	P53FX10097CN	P53FX15097CN

# SUMMER WAVES® POMPE À FILTRE SKIMMERPLUS®

POUR PISCINES HORS-SOL  
Modèles SFX600 / SFX1000 / SFX1500



## LIRE ET GARDER CES INSTRUCTIONS POUR CONSULTATION ULTÉRIEURE

Pour obtenir des réponses aux questions les plus fréquentes, des vidéos de configuration et des conseils de dépannage, visitez le site [support.polygroupstore.com](http://support.polygroupstore.com) ou appelez le service à la clientèle : **1-888-919-0070**

**NE RETOURNEZ PAS LE PRODUIT  
AU DÉTAILLANT**

Pour commander des pièces ou des accessoires veuillez consulter : [www.polygroupstore.com](http://www.polygroupstore.com)

Si vous venez à rencontrer un problème avec votre produit Polygroup®, nous vous prions de ne pas retourner le produit au lieu d'achat. Toute réclamation sous garantie doit être soumise directement à Polygroup®. Pour tout problème relatif à l'installation et au dépannage, visitez le site [support.polygroupstore.com](http://support.polygroupstore.com). Service à la clientèle : 1-888-919-0070. Vous pourriez devoir retourner le produit entier ou la pièce en question aux fins d'inspection et/ou réparation. Ne pas retourner les produits à Polygroup® sans avoir le numéro d'autorisation de renvoi.

## TABLE DES MATIÈRES

Avertissements .....	3 ~6
Étapes préliminaires, Remarque importante concernant les pompes filtrantes, Information sur la puissance de la pompe de filtre .....	7
Liste des pièces .....	7 ~ 8
Instructions d'installation, Utilisation de la pompe .....	9 ~ 10
Entretien du moteur de la pompe, Entretien de la pompe .....	11
Utilisation et entretien de la cartouche filtrante .....	11
Entretien de l'eau de la piscine .....	12
Démontage et rangement de la pompe .....	12 ~ 13
Instructions d'entretien de la pompe .....	13 ~ 16
Guide de dépannage .....	17
Renseignements relatifs aux commandes de pièces de rechange .....	18

### GARANTIE LIMITÉE

Polygroup® Trading Limited, (ci-après "Polygroup®") garantit à l'acheteur original seulement, la pompe de filtration électrique type SFX contre les défauts de matériaux et de fabrication pour une période de 180 jours à compter de la date d'achat. L'acheteur original doit conserver la preuve d'achat sous la forme de la facture d'origine du magasin et doit la présenter à la requête de Polygroup® ou de ses agents désignés. Les réclamations au titre de la garantie ne peuvent être traitées sans preuve d'achat valide. Cette garantie limitée applique uniquement à l'acheteur original du produit et se limite uniquement à la réparation ou au remplacement du produit, ce qui est décidé à la seule discrétion de Polygroup®. Les dommages indirects, incluant les réclamations pour la perte d'eau, les produits chimiques pour piscine, les dommages, ou la main-d'oeuvre ne sont pas couverts par cette garantie limitée. Cette garantie sera déclarée invalide si l'acheteur modifie ou répare le produit lui-même ou par des personnes non autorisées; utilise des pièces ou des accessoires non liés à Polygroup® avec le produit ; utilise le produit en ne respectant pas les instructions du fabricant ; alimente le produit avec une tension inadaptée ; endommage le produit d'une façon ou d'une autre par accident ou par négligence. L'usure et la détérioration normale ne sont pas couvertes par cette garantie, ni les désastres naturels en dehors du contrôle de Polygroup®. Polygroup® ne saurait être tenu responsable de l'apparition d'herbes poussant à travers le tapis de sol et/ou la toile de piscine, car ce phénomène n'est pas lié à un défaut de fabrication.

EN AUCUN CAS POLYGROUP®, SES AGENTS AGRÉÉS, SES ENTITÉS APPARENTÉES OU SES EMPLOYÉS NE SAURAIENT ÊTRE TENUS RESPONSABLES ENVERS L'ACHETEUR OU TOUTE AUTRE PARTIE POUR DES DOMMAGES DIRECTS OU INDIRECTS. Certains états ou pays, ou d'autres juridictions n'autorisent pas l'exclusion ni la restriction des dommages indirects ou accessoires, par conséquent, les restrictions ou exclusions ci-dessus peuvent ne pas s'appliquer dans votre cas.

## MISES EN GARDE IMPORTANTES

Lors de l'installation et de l'utilisation de cet appareil électrique, respectez toujours des précautions de sécurité élémentaires, parmi lesquelles :

### LIRE ET RESPECTER TOUTES LES INSTRUCTIONS

Conserver pour consultation ultérieure. Ne pas respecter ces mises en garde et instructions peut provoquer des blessures graves ou la mort des utilisateurs, notamment des enfants.

## AVERTISSEMENT



### DANGER

#### PRENEZ DES MESURES CONTRE LE RISQUE DE NOYADE !

SURVEILLEZ ATTENTIVEMENT LES ENFANTS QUI SE TROUVENT À L'INTÉRIEUR OU À PROXIMITÉ DE CETTE PISCINE. LE RISQUE DE NOYADE EST LE PLUS ÉLEVÉ POUR LES ENFANTS DE MOINS DE 5 ANS. VIDEZ LA PISCINE OU EMPÊCHEZ-EN L'ACCÈS LORSQU'ELLE N'EST PAS UTILISÉE.

**NE PAS PLONGER !**  
RISQUE DE RUPTURE DES CERVICALES ET DE PARALYSIE EN CAS DE PLONGEON DANS UNE EAU PEU PROFONDE.

### AVERTISSEMENT

#### NE PAS S'ASSEOIR OU S'APPUYER SUR LA PAROI DE LA PISCINE

VOUS RISQUERIEZ DE SUBIR DES BLESSURES IRRÉVERSIBLES.

#### ÉVITER D'ÊTRE PIÉGÉ !

NE VOUS APPROCHEZ PAS DES TROUS D'ÉVACUATION ET DES CRÉPINES D'ASPIRATION. LES CHEVEUX, LES DIFFÉRENTES PARTIES DU CORPS ET LES BIJOUX PEUVENT ÊTRE ASPIRÉS DANS LES TROUS D'ÉVACUATION. VOUS RISQUERIEZ D'ÊTRE MAINTENU SOUS L'EAU ET DE VOUS NOYER. N'UTILISEZ PAS LA PISCINE SI LES BOUCHONS DES ORIFICES D'ASPIRATION ET D'ÉVACUATION SONT MANQUANTS OU ENDOMMAGÉS.

**REMARQUE :** LES LOIS NATIONALES OU LOCALES PEUVENT EXIGER DES CLIENTS ACHETANT UNE PISCINE D'ENCOURIR DES FRAIS SUPPLÉMENTAIRES LORS DE L'INSTALLATION D'UNE PISCINE POUR ÊTRE CONFORMES AUX LOIS NATIONALES ET LOCALES RELATIVES AU CLÔTURAGE ET À D'AUTRES EXIGENCES DE SÉCURITÉ. LES CLIENTS DOIVENT CONTACTER L'AGENCE LOCALE CHARGÉE DE L'APPLICATION DU CODE DE LA CONSTRUCTION POUR PLUS DE DÉTAILS. POLYGROUP® NE PEUT ÊTRE TENU RESPONSABLE DES FRAIS SUPPLÉMENTAIRES QUE VOUS POURRIEZ ENGAGER.

## Mesures de Sécurité pour les Enfants

1. Les enfants, surtout ceux de moins de cinq ans, sont exposés à haut risque de noyade. La noyade s'effectue silencieusement et rapidement et peut se produire même dans les eaux avec une profondeur de seulement 2po (5 cm).
2. Ne perdre jamais de vue les enfants, rester près d'eux et les surveiller activement lorsqu'ils sont dans la piscine ou autour d'elle ou lors de remplir ou vider la piscine.
3. Lors de recherche pour retrouver un enfant disparu, vérifier la piscine tout d'abord même si vous croyez que l'enfant est à la maison.
4. Placez les pompes et les filtres de telle manière que les enfants ne puissent pas monter sur eux et avoir accès à la piscine.
5. **AVERTISSEMENT :** Afin de réduire le risque de blessures, ne pas permettre aux enfants d'utiliser ce produit sauf s'ils sont surveillés attentivement en tout temps.

## Barrières de Piscine

### Très Important :

Les barrières de piscine qui visent à restreindre l'accès des jeunes enfants à la piscine peuvent être exigées par la loi. Une barrière est nécessaire en vue de les protéger contre le risque de noyade ou quasi-noyade. Ces barrières ne remplacent pas la surveillance constante des enfants. Vérifier les lois et les codes nationaux et locaux avant d'installer la piscine.

## Équipement de Piscine

1. L'usage d'éclairage artificiel est à la discrétion du propriétaire de la piscine. Si l'éclairage est désiré, l'installation doit être effectuée en conformité avec l'article 680 du Code national de l'électricité (CNE) ou sa dernière édition homologuée ou en consultation avec un électricien professionnel agréé.
2. Gardez tous les fils électriques, radios, haut-parleurs et autres appareils électriques à l'écart de la piscine.
3. Ne pas installer la piscine près de ou sous les lignes électriques aériennes.
4. Tous les composants électriques installés dans et/ou près d'une piscine résidentielle hors sol/au sol doivent être installés conformément à l'édition publiée la plus récemment de l'article 680 de NFPA 70, Code national de l'électricité (CNE®), et doivent être conformes à ses exigences relatives aux piscines, fontaines et d'autres installations pareilles ainsi qu'à tout code national ou local.

## Remarques à Vous Sensibiliser à la Pompe de Filtration

1. **AVERTISSEMENT :** Risque de choc électrique. Brancher uniquement sur une prise de terre. Si la prise ou le cordon d'alimentation doit être remplacé, utiliser uniquement des pièces de remplacement identiques.
2. **AVERTISSEMENT :** Afin de réduire le risque de choc électrique, remplacer le cordon endommagé tout de suite.
3. **AVERTISSEMENT :** Afin de réduire le risque de choc électrique, ne pas utiliser de rallonge afin de relier l'appareil à la source d'alimentation; fournir une prise électrique placée proprement.
4. **CAUTION :** Afin de réduire le risque de choc électrique, la piscine doit être installée à une distance d'au moins 6 pieds (1,8m) de toute prise électrique. Placer les dispositifs portables à au moins 5 pieds (1,5m) de la piscine.

- CAUTION** : Cette pompe est conçue uniquement pour l'usage avec des piscines stockables. Ne pas l'utiliser avec des piscines permanentes. Une piscine stockable est fabriquée d'une telle manière qu'elle peut être démontée facilement pour l'entreposage et rassemblée en sa forme originale. Une piscine permanente est construite dans le sol ou sur le sol ou dans un bâtiment de façon qu'elle ne peut pas être démontée facilement pour l'entreposage.
- CAUTION** : En vue d'une protection permanente contre le risque de choc électrique, ce dispositif doit être monté sur sa base conformément aux instructions d'installation.
- N'enterrez pas le cordon. Placez-le en toute sécurité dans un endroit adéquat loin de tout risque d'endommagement par des tondeuses et tailles-haies ou d'autres outils.
- Cet appareil est fourni avec un disjoncteur différentiel avec fuite à la terre (GFCI). Pour tester le GFCI, appuyez sur le bouton de test. Le GFCI doit normalement couper le courant. Appuyez sur le bouton de réinitialisation. Le courant doit normalement être rétabli. Si le GFCI ne fonctionne pas de cette manière, cela signifie qu'il est défectueux. Si le GFCI coupe l'alimentation de la pompe sans que le bouton de test n'ait été appuyé, cela signifie qu'un courant à la terre circule et qu'il existe un risque de choc électrique. N'utilisez pas cette pompe. Débranchez la pompe et faites corriger le problème par un réparateur dûment qualifié avant de la réutiliser.
- L'assemblage de la pompe à filtre doit être effectué par un adulte. Il convient de veiller au déballage et à l'assemblage de la pompe à filtre, cette piscine pourrait avoir des bords tranchants exposés probablement dangereux ou des bouts pointus qui constituent une partie essentielle du fonctionnement de la pompe à filtre.
- Si un drain ou un couvercle de l'orifice d'aspiration manque ou qu'il est brisé, n'utilisez pas la piscine. L'aspiration pourrait résulter en coincement des parties corporelles, l'empêchement des cheveux et des bijoux, éviction ou noyade. Réparez ou remplacez le drain ou l'orifice d'aspiration avant d'utiliser la piscine. Lors de l'usage de la piscine pendant la nuit, il convient d'utiliser un éclairage artificiel afin d'éclairer les panneaux de sécurité, les échelles, les escaliers, les terrasses et les passerelles.
- Le fond de la piscine doit être toujours visible depuis le périmètre extérieur de la piscine.
- Affichez une liste des numéros de téléphone d'urgence tels que police, service des incendies, ambulance et/ou équipe de sauvetage. Ces numéros doivent être gardés à côté du téléphone le plus proche de la piscine.
- Un ensemble d'équipement de sauvetage de base comprenant un des articles suivants doit être disponible en tout temps:
  - Une porche légère, forte et solide (canne de berger) d'une longueur d'au moins douze pieds (12 pi) [366cm].
  - Une corde de minimum un quart de pouce (¼ po.) [6,35mm] de diamètre et d'une longueur égale à une fois et demie (1 ½) la largeur maximale de la piscine ou de cinquante pieds (50 pi) [15,24mètres], selon le moindre des deux, qui est bien attaché à une bouée de sauvetage agréée par la garde côtière d'un diamètre extérieur d'environ quinze pouces (15 po.) [38,1cm], ou à un dispositif flottant similaire agréé.
- La piscine doit être située à une distance minimale de 1,83 m de tout récipient, et toutes les prises de 15 et 20 ampères de 125 V situées à moins de 6,0 m de la piscine doivent être protégées par un disjoncteur (GFCI), où les distances sont mesurées selon le chemin le plus court, le cordon d'alimentation d'un appareil raccordé au réceptacle suivant, à l'intérieur de la paroi de la piscine, sans percer un plancher, un mur, un plafond, une porte battante ou coulissante, une ouverture de fenêtre ou une autre barrière permanente efficace.

## Systèmes de Circulation

- Les installateurs doivent suivre les instructions fournies par écrit concernant le positionnement de tous les dispositifs liés aux systèmes de circulation.
- L'installateur doit suivre les instructions fournies par écrit sur le fonctionnement des composants du système de circulation.
- Tous les composants du système de circulation ainsi que la pompe nécessitant un remplacement ou entretien doivent être installés selon le manuel d'instruction de la pompe.
- Le dispositif de circulation doit être installé selon les instructions du fabricant afin de garantir l'installation correcte et fournir le support adéquat, prévenir des dommages dû au mauvais alignement, affaissement et vibration, ainsi que pour minimiser le risque d'accumulation de débris et d'humidité. Veuillez consulter le manuel d'instruction de la pompe.

## Matières Chimiques

Par sécurité, veillez à ce que la partie la plus profonde de la piscine soit toujours visible. L'utilisateur doit veiller à ce que l'eau de piscine reste en permanence limpide. Contrôlez régulièrement le pH et le niveau de chlore, et vérifiez qu'ils sont dans les limites recommandées. Des produits chimiques de traitement de l'eau additionnels peuvent être requis de temps en temps. Faites tester un échantillon d'eau par une boutique locale de produits d'entretien pour piscine afin de déterminer si des produits chimiques supplémentaires sont requis. Démarrez la pompe pendant les heures quotidiennes recommandées. En cas de doute sur les délais, consultez le site support.polygroupstore.com pour connaître les durées de fonctionnement recommandées pour la pompe, en fonction du type et de la taille de la piscine. Lavez et remplacez fréquemment la cartouche filtrante. Remplacez-la exclusivement par une cartouche filtrante d'origine de la marque Polygroup® / Summer Waves®. Consultez la notice de la pompe de filtration pour obtenir des informations supplémentaires d'entretien de l'eau.

## Risque de Coincement

- Éviter le coincement** : la zone de baignade doit être dépourvue de toute saillie ou autre obstruction qui pourrait causer le coincement ou l'empêchement de l'utilisateur. Si le couvercle d'un orifice d'aspiration manque ou qu'il est brisé, n'utilisez pas la piscine. L'aspiration pourrait résulter en coincement des parties corporelles, l'empêchement des cheveux et des bijoux, éviction ou noyade. Réparez ou remplacez le drain ou l'orifice d'aspiration avant d'utiliser la piscine.
- DANGER! AFIN D'ÉVITER TOUTE BLESSURE GRAVE OU FATALE, FERMEZ LA PISCINE OU LES PAAUX NAGEURS SI UN COUVERCLE DE L'ORIFICE D'ASPIRATION/UNE MAILLE MANQUE, OU DANS LE CAS QU'IL/ELLE EST BRISÉ(E) OU INOPÉRANT.**
- Ne jouez ou nagez jamais près de drains ou des dispositifs d'aspiration. Votre corps ou vos cheveux peuvent être coincés et vous pourriez subir des blessures permanentes voire noyer.
- N'entrez jamais la piscine ou le spa si le dispositif d'aspiration est lâche, brisé ou manquante.
- Informez le propriétaire ou l'opérateur de la piscine/du spa immédiatement si vous remarquez un drain qui soit lâche ou brisé ou qu'il manque.

## Risque de Noyad

- Gardez les enfants sans surveillance à l'écart de la piscine en installant une clôture ou d'autres barrières agréées tout autour de la piscine. Il est possible que les lois étatiques ou locales nécessitent une barrière ou d'autres barrières agréées. Vérifiez les lois et les codes nationaux ou locaux avant d'installer la piscine.
- Les jouets, chaises, tables ou tout autre objet similaire qu'un jeune enfant peut monter doit être au moins quatre pieds (4 pi) [121,92cm] loin de la piscine. Le système de pompage et de filtration doit être placé dans un endroit qui ne permettra pas aux jeunes enfants de l'utiliser comme un moyen d'accès à la piscine. Une fois l'usage de la piscine fini, ne laissez pas de jouet dedans, car les jouets ou les objets pareils pourraient attirer l'attention d'un enfant à la piscine.

3. Placez les meubles (par exemple les tables et les chaises) loin de la piscine de manière que les enfants ne peuvent pas monter pour avoir accès à la piscine.

## Risque de Choc Electrique

1. Gardez tous les fils électriques, radios, haut-parleurs et autres appareils électriques à l'écart de la piscine.
2. N'installez pas la piscine près de ou sous les lignes électriques aériennes.

## Premiers Secours

1. Gardez un téléphone fonctionnant et une liste des numéros d'urgence près de la piscine.
2. Obtenez la certification RCR (réanimation cardiorespiratoire). En cas d'urgence, la RCR immédiate peut faire une différence cruciale et sauver la vie de quelqu'un.

## Avertissement Spécifique

1. Il est possible que les codes du bâtiment locaux exigent un permis de travail en construction ou électricité. L'installateur doit suivre les règlements sur les marges de recul, barrières, appareils et autres conditions.
2. Les panneaux de sécurité doivent être conformes aux exigences de la norme ANSI-Z535 et utiliser les mots de signalement.
3. NE PAS tenter d'assembler cette piscine dans les conditions météorologiques défavorables, conditions venteuses, ou aux températures de moins de 60°F (15,5°C).
4. Cette pompe filtrante est stockable. Elle doit être désassemblée et entreposée lorsque si vous attendez aux températures inférieures à 32°F (0°C).

## Avertissement de Sécurité Additionnelle

1. La surveillance par les adultes est toujours un must.
2. Les parents doivent apprendre la réanimation cardio-pulmonaire (RCR).
3. Gardez tous les appareils électriques tels que radios, haut-parleurs et autres appareils à l'écart de la piscine.
4. Lorsque vous touchez le filtre, la pompe ou les pièces électriques, assurez-vous que le sol sous vos pieds soit absolument sec.
5. Toutes les prises électriques doivent être équipées d'un GFCI et les raccords doivent être situés à au moins 1,8 m du périmètre extérieur de la paroi de la piscine. À une distance de 1,8 m à 3 m, il doit y avoir soit une connexion fixe (boîte de sortie), soit une connexion à baïonnette équipée d'un GFCI.
6. Reliez les cordons d'alimentation uniquement à une fiche à trois broches avec terre.
7. Gardez tous les objets fragiles à l'écart de la piscine.
8. La consommation d'alcool et les activités en piscine ne vont pas ensemble. Ne laissez jamais quiconque nager, plonger ou glisser sous l'influence de l'alcool ou de drogues.
9. Si vous installez votre pompe ou filtre sur les terrasses, cela pourrait résulter en choc électrique grave. Il est possible que la pompe ou le filtre tombe dans l'eau et entraîner un choc grave ou l'électrocution.
10. N'installez pas le produit sur les terrasses ou autres surfaces situées près de, au-dessus ou légèrement au-dessous de la balustrade supérieure de la piscine.
11. N'utilisez pas la pompe filtrante pendant de graves intempéries, à savoir éclairs, tornades, etc.
12. Faites attention aux lignes électriques aériennes lorsque vous aspirez votre piscine ou utilisez une perche télescopique.
13. Vérifiez régulièrement pour voir si les boulons indiquent des usures ou s'ils sont desserrés, ce qui pourrait rendre la terrasse dangereuse.
14. Veuillez contacter le surveillant ou le fabricant de la piscine pour vous renseigner sur des panneaux de sécurité supplémentaires si vous le jugez nécessaire.
15. Pour l'entretien de la piscine, consultez un spécialiste de piscines autorisé. Pour davantage d'information sur la sécurité, visitez [www.APSP.org](http://www.APSP.org)

## Brochures pour la Sensibilisation des Consommateurs et Source d'Informations

**Contact :** Commission de la sécurité des produits de consommation des États-Unis : [www.cpsc.gov/safety-education/safety-guides/pools-and-spas](http://www.cpsc.gov/safety-education/safety-guides/pools-and-spas), Pub. # 362 «Lignes directrices sur les barrières de sécurité pour les piscines à domicile.»

1. Comment profiter de votre Spa ou de votre bain à remous de manière raisonnable
2. Les enfants ne sont pas étanches
3. Différents niveaux de protection
4. Mesures d'urgence pour les bébés et les enfants dans les piscines et Spas
5. Soyez conscient de la sécurité.

Des exemplaires des brochures ci-dessus sont disponibles gratuitement auprès de l'APSP à l'adresse [www.APSP.org](http://www.APSP.org)

## Des programmes éducatifs de sécurité ainsi que des matériels

Programmes éducatifs et matériels (à savoir séminaires, colloques, brochures, vidéos, guides éducatifs) sont disponibles auprès de APSP, d'autres groupes de sécurité aquatiques et des entreprises privées. En vue de communiquer des renseignements utiles sur la sécurité aux propriétaires/opérateurs et utilisateurs des piscines, les membres de l'industrie sont permis à fournir de tels renseignements aux propriétaires/opérateurs et à leur demander ou exiger d'eux de signer un énoncé indiquant qu'ils ont reçu et lu les directives et qu'ils les suivront.

### Autres sources de renseignements de sécurité :

- [www.cdc.gov](http://www.cdc.gov)
- [www.cpsc.gov](http://www.cpsc.gov)
- [www.drowningpreventionalliance.com](http://www.drowningpreventionalliance.com)
- [www.nspf.org](http://www.nspf.org)
- [www.safekids.org](http://www.safekids.org)

### ANSI American National Standards Institute

25 West 43rd Street, New York NY 10036

Contact: 212-642-4900

[www.ansi.org](http://www.ansi.org)

**APSP Association of Pool & Spa Professionals**

(formerly National Spa and Pool Institute)

2111 Eisenhower Avenue, Suite 500

Alexandria VA 22314-4679

Contact: 703-838-0083

[www.apsp.org](http://www.apsp.org)

**ASME American Society of Mechanical Engineers**

Two Park Avenue, New York NY 10016-5990

Contact: 800-843-2763 (U.S. & Canada) 973-882-1170 (outside North America)

[www.asme.org](http://www.asme.org)

**NSPI National Spa and Pool Institute (see APSP)****UL Underwriters Laboratories**

333 Pfingsten Road, Northbrook IL 60062-2096

Contact: 877-854-3577 or 847-272-8800

[www.ul.com](http://www.ul.com)

**NSF NSF International**

P.O. Box 130140

789 N. Dixboro Road

Ann Arbor MI 48105

Contact: 800-673-6275 or 734-769-8010

[www.nsf.org](http://www.nsf.org)

**ASTM ASTM International (formerly American Society of Testing & Materials)**

100 Barr Harbor Drive, P.O. BOX C700

West Conshohocken, PA 19428-2959

Contact: 877-909-2786 (USA & Canada) or 610-832-9585 (International)

[www.astm.org](http://www.astm.org)

**NEC National Electrical Code (see NFPA)**

NFPA National Fire Protection Association

1 Batterymarch Park, Quincy MA 02169-7471

Contact: 800-344-3555 (U.S. & Canada) or 617-770-3000 (International)

[www.nfpa.org](http://www.nfpa.org)

**Systèmes de Filtration**

Tout outil relié aux systèmes de circulation doit être placé de telle manière que les jeunes enfants ne puissent pas l'utiliser pour accéder à la piscine (Voir la dernière publication de la norme «ANSI/APSP-8 Normes pour barrières de piscines résidentielles, de spas et de cuves thermales».)

**Barrière**

Les barrières sont nécessaires à fournir une protection contre le risque de noyade et quasi-noyade. Elles ne remplacent pas la surveillance permanente des enfants (Voir la dernière publication de la norme «ANSI/APSP-8 Normes pour barrières de piscines résidentielles, de spas et de cuves thermales».)

**Risque de Noyade, Coincement et Accidents de Plongée**

Des publications sont disponibles décrivant les risques de noyade et de piégeage, et les accidents de plongeon. Les publications disponibles portant sur la sécurité des piscines comprennent les brochures de l'Association of Pool and Spa Professionals (APSP) intitulées : «Comment profiter de votre spa ou de votre bain à remous de manière raisonnable», «Les enfants ne sont pas étanches», «Mesures d'urgence pour les bébés et les enfants dans les piscines et spas», «Différents niveaux de protection», et la dernière publication de la norme «ANSI/APSP-8 Normes pour barrières de piscines résidentielles, de spas et de cuves thermales».

**Responsabilités de l'Installateur**

Tous ces composés doivent être placés de telle manière que les jeunes enfants ne puissent pas les utiliser pour accéder à la piscine.

(Voir la dernière publication de la norme «ANSI/APSP-8 Normes pour barrières de piscines résidentielles, de spas et de cuves thermales».)

## CONSERVER CES INSTRUCTIONS



## ÉTAPES PRÉLIMINAIRES

1. LISEZ ATTENTIVEMENT TOUTES LES INSTRUCTIONS et obtenez une compréhension approfondie de ce qui est nécessaire pour assembler votre pompe de filtration.
2. Il est conseillé d'avoir de la gelée de pétrole (pas inclus) sur place pour lubrifier les joints d'étanchéité et les joints toriques.

## REMARQUE IMPORTANTE CONCERNANT LES POMPES FILTRANTES

1. L'installateur doit suivre les instructions écrites fournies pour le fonctionnement du système de pompe de filtrage.
2. Toutes les composantes électriques doivent être installées conformément à la section 680 du Code électrique national de 2017® (NEC®) ou son édition approuvée la plus récente.
3. La capacité maximale de pastilles de chlore d'un diamètre d'un pouce de la cartouche filtrante ⑦ brevetée Polygroup® (Brevet É.-U. 7 005 062) :
  - a. Cartouches de type D : 2
  - b. Cartouches de type A/C : 6

Vérifier vos niveaux de chlore pour déterminer le bon nombre de pastilles de chlore à ajouter. La cartouche distribuera automatiquement du chlore dans la piscine au fur et à mesure que la pompe fonctionne. Vous devez utiliser une cartouche filtrante munie d'une cloison en mailles qui divise la partie centrale (**voir p. 8**) pour distribuer du chlore.

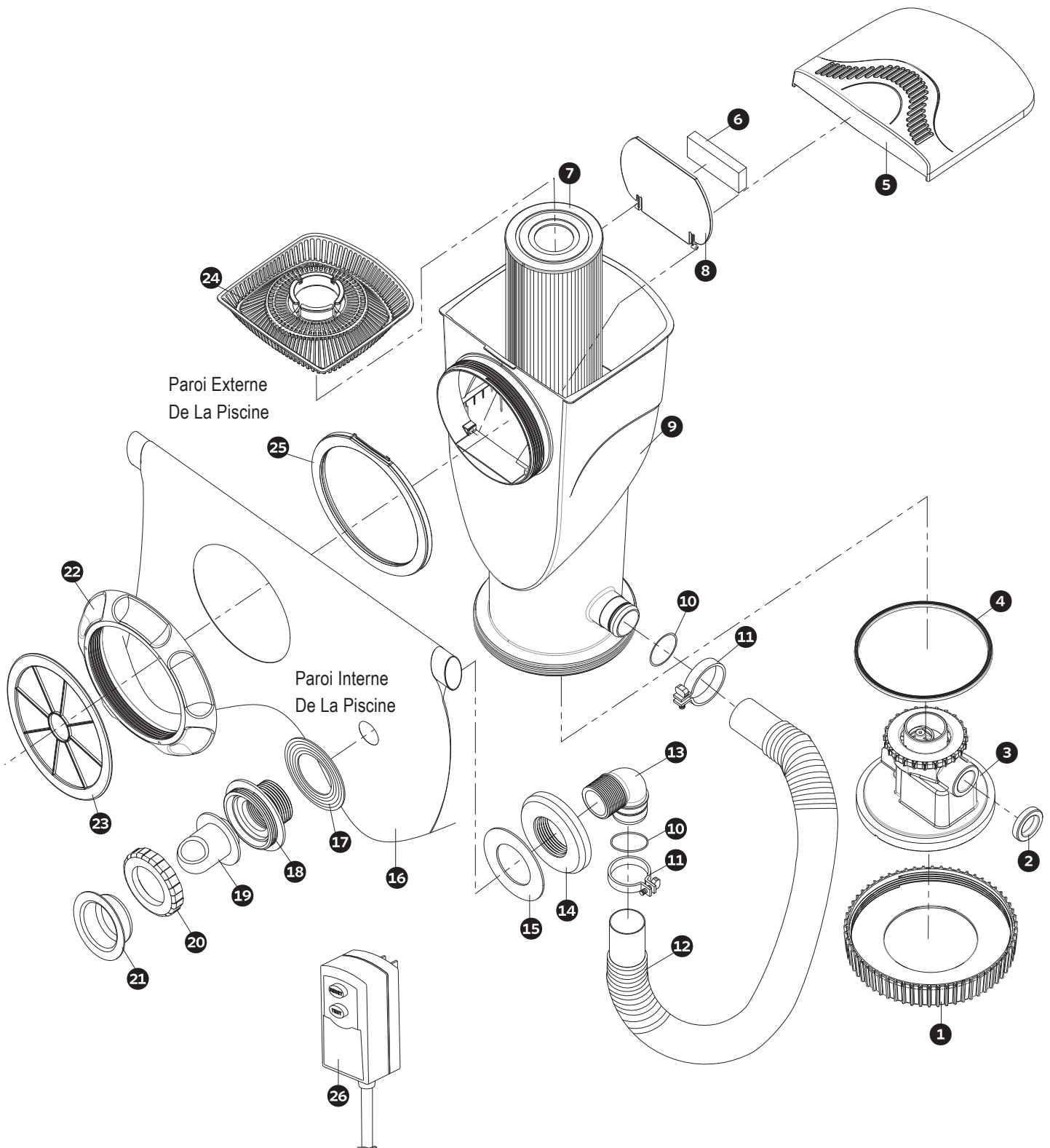
La cartouche filtrante ⑦ ne sert qu'à distribuer pastilles de chlore d'un pouce. NE PAS utiliser cette cartouche pour distribuer le chlore en poudre, les traitements-chocs au chlore, ou tout autre type de produit chimique, puisque cela endommagera la pompe, la cartouche filtrante et la piscine.
4. Cette pompe filtrante est fabriquée par Polygroup® et numéro de contrôle ETL 4000608 et 4006317 - double isolation et mise à la terre - 120VCA 60Hz. Toutes les unités doivent avoir un minimum de 105VAC pour démarrer et fonctionner correctement.

## INFORMATION SUR LA PUISSANCE DE LA POMPE DE FILTRE

Modèle	Puissance (W)	Ampérage
SFX600	70 W	1.7 A
SFX1000	115 W	1.4 A
SFX1500	180 W	3.1 A

## LISTE DES PIÈCES

Éléments	Dénomination	Nombre	Éléments	Dénomination	Nombre
①	Écrou d'étanchéité du moteur	1	⑭	Écrou pour buse de refoulement	1
②	Buse	1	⑮	Rondelle pour buse de refoulement	1
③	Moteur de la pompe	1	⑯	Paroi de la piscine (Pour référence seulement)	1
④	Joint du réceptacle / scellage du moteur	1	⑰	Joint pour buse de refoulement (noir)	1
⑤	Couvercle supérieur	1	⑱	Raccord de refoulement, fileté	1
⑥	Mousse de barrage	1	⑲	Partiteur de raccord de refoulement	1
⑦	Cartouche filtrante de type D (SFX600 uniquement)	1	⑳	Écrou de serrage de buse de refoulement, fileté	1
	Cartouche filtrante de type A / C (SFX1000 ou SFX1500)		㉑	Bouchon	1
⑧	Barrage	1	㉒	Anneau d'étanchéité du skimmer	1
⑨	Boîtier de l'écumoire	1	㉓	Obturateur	1
⑩	Joint torique de connexion sur tuyau	1	㉔	Corbeille à crépine SFX	1
⑪	Collier de serrage de tuyau	2	㉕	Joint en caoutchouc pour joint d'étanchéité	1
⑫	Tuyau de refoulement	1	㉖	Kit câble GFCI	1
⑬	Coude à angle droit	1			



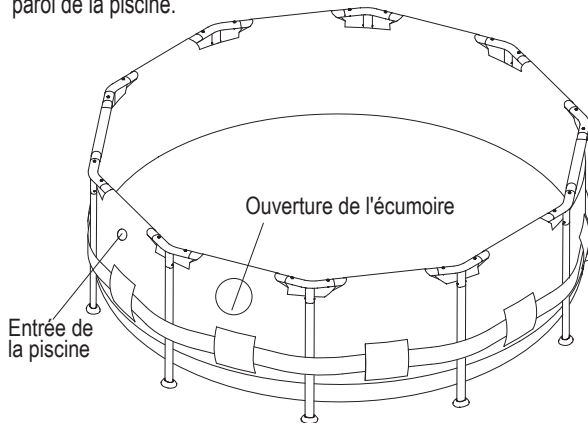
## INSTRUCTIONS D'INSTALLATION

Avant le montage, prenez quelques minutes afin d'identifier et vous familiariser avec toutes les pièces.

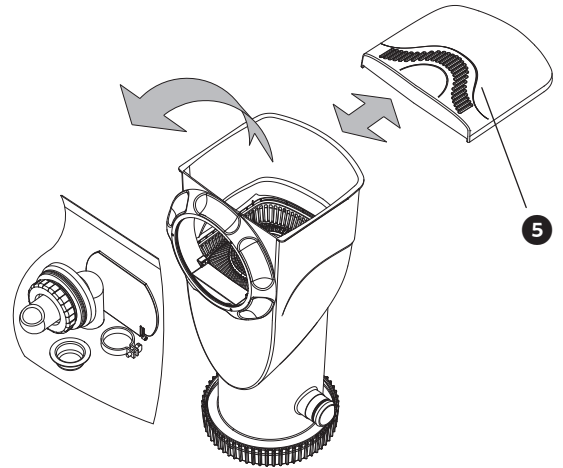
**⚠ AVERTISSEMENT : GRIMPAGE DANGEREUX ! VEUILLEZ EMPÊCHER LES ENFANTS DE GRIMPER SUR LE SYSTÈME DE FILTRATION POUR ALLER DANS LA PISCINE.**

### Installation de l'écumoire

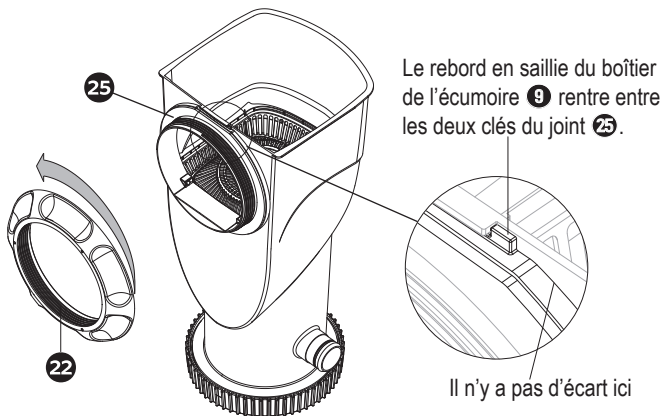
1. Installer votre piscine conformément aux instructions du manuel de l'utilisateur de la piscine. Ne pas remplir d'eau avant que la pompe filtrante ne soit pas installée correctement. Trouvez les orifices de refoulement et d'entrée sur la paroi de la piscine.



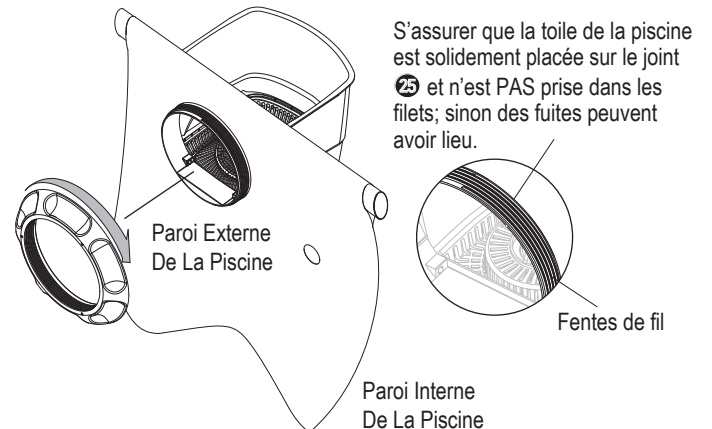
2. Glisser le couvercle supérieur 5 pour l'ouvrir et enlever les pièces à l'intérieur.



3. Tourner dans le sens inverse des aiguilles d'une montre pour enlever l'anneau d'étanchéité de l'écumoire 22. S'assurer que le joint d'étanchéité en caoutchouc de l'écumoire 25 est dans la bonne position.

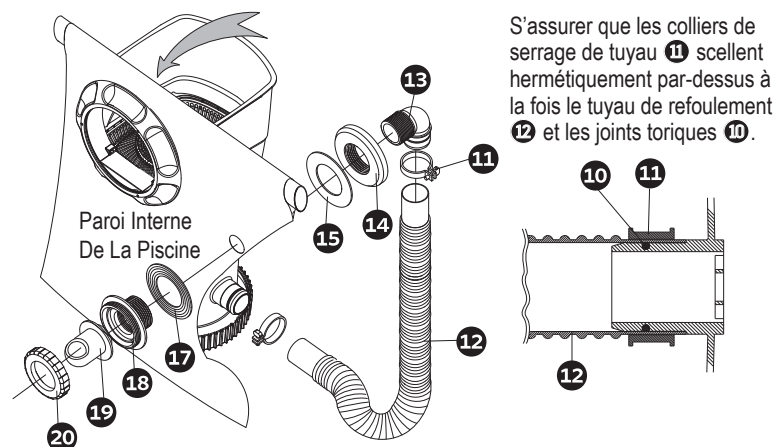


4. Insérer la partie filetée du boîtier de l'écumoire 9 à travers l'ouverture de l'écumoire, et ensuite attacher avec l'anneau d'étanchéité de l'écumoire 22.

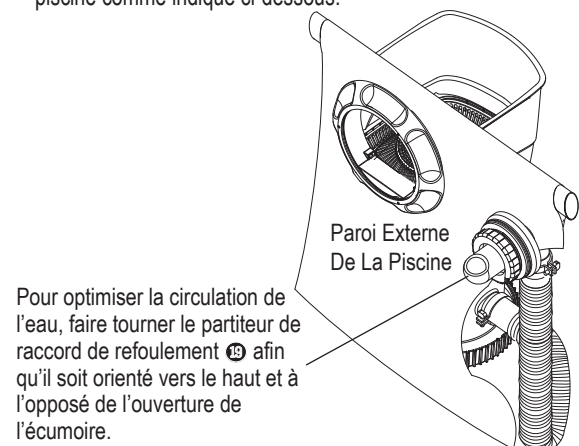


### Installation du raccord de refoulement

5. Assemble le raccord de refoulement 13 comme indiqué ci-dessous.

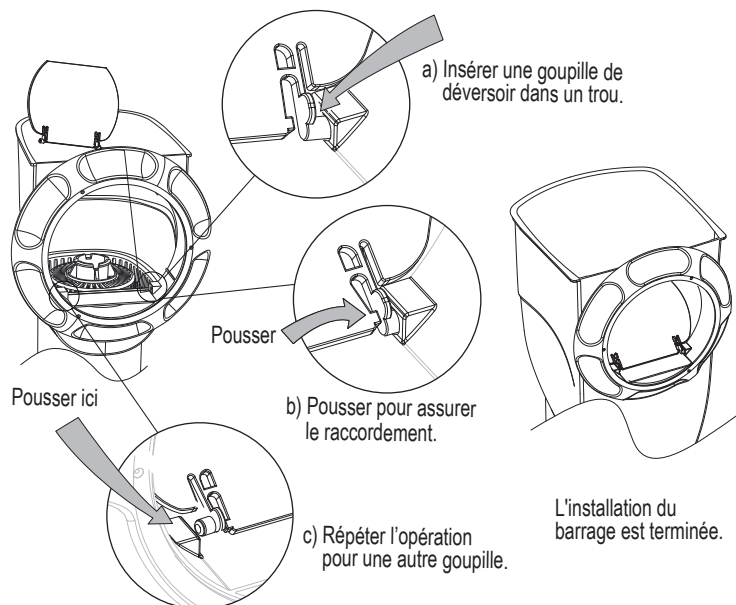


6. Ensuite, la pompe doit être installée à l'extérieur de la paroi de la piscine comme indiqué ci-dessous.

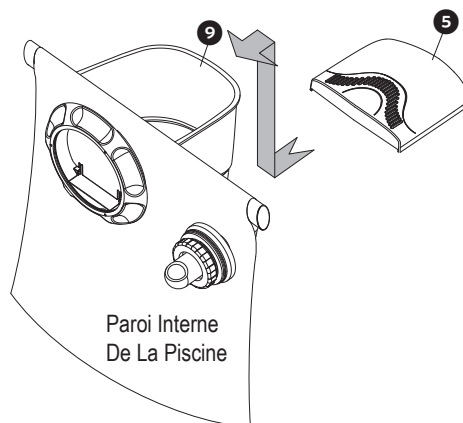


## Installation de la pompe

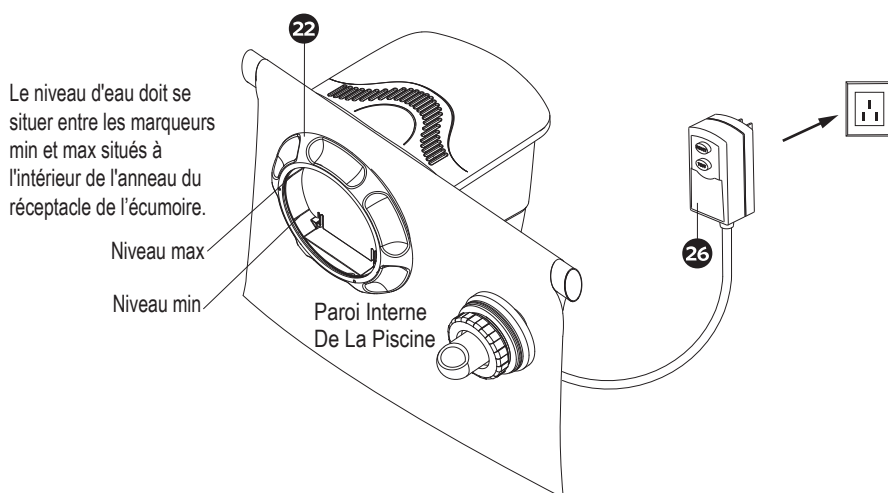
7. À partir de l'intérieur du boîtier de l'écumoire **9**, enclencher les goupilles du déversoir **6** dans les fentes de pivotage, l'une après l'autre. Le déversoir devra maintenant se tenir droit, sans être coincé.



8. Glisser le couvercle supérieur **5** pour le fermer sur le boîtier de l'écumoire **9**.

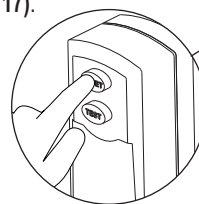


9. Vous pouvez maintenant remplir la piscine d'eau jusqu'entre les repères MIN et MAX à l'intérieur de l'anneau d'étanchéité de l'écumoire **22**.



## UTILISATION DE LA POMPE

1. Brancher l'ensemble de cordon d'alimentation GFCI **26** à une prise correctement mise à la terre au moins 15 pieds (4,5 m) à l'écart de la piscine.
2. Pour mettre la pompe en marche, appuyer sur le bouton RESET (« RÉINITIALISER ») de la fiche GFCI.
3. À partir de l'intérieur de la piscine, vérifier si le débit d'eau du partiteur de raccord de refoulement **19** est correct. On devrait avoir le sentiment qu'un jet d'eau retourne à la piscine. Sinon, ou si vous ressentez une réduction du débit, nettoyer ou remplacer la cartouche filtrante **7**. Pour de plus amples détails, voir **UTILISATION ET ENTRETIEN DE LA CARTOUCHE FILTRANTE (p. 11)**, ci-dessous de même que le symptôme 2 du **GUIDE DE DÉPANNAGE (p. 17)**.
4. Pour arrêter la pompe, appuyer sur le bouton TEST de la fiche GFCI, et la débrancher de la prise électrique.
5. TRÈS IMPORTANT : Vérifier et ajuster les niveaux de pH et de chlore tous les jours. LE SEUL EMPLOI DE LA POMPE FILTRANTE N'EMPÊCHERA PAS LES ALGUES DE POUSSER DANS L'EAU DE LA PISCINE; CELA N'EST ACCOMPLI QU'EN MAINTENANT LES BONS NIVEAUX DE CHLORE ET DE pH EN TOUT TEMPS. Pour de plus amples détails, voir **TRAITEMENT DE L'EAU DE LA PISCINE (p. 12)**.



**IMPORTANT : NE PAS** brancher à un dispositif de minuterie !



## ENTRETIEN DU MOTEUR DE LA POMPE

**IMPORTANT!** Cette pompe filtrante de l'écumoire est protégée par un interrupteur thermique, un dispositif de sécurité qui empêche la pompe de fonctionner en cas de surchauffe, afin de prévenir les dommages à la pompe et de prolonger sa durée de vie. Si votre pompe s'arrête automatiquement, il est probable que la température de l'eau de la piscine est trop élevée ou que le débit d'eau à travers la pompe n'est pas suffisamment élevé pour refroidir la pompe. Vérifiez et corrigez le débit d'eau, assurez-vous que le moteur se repose au moins 15 minutes, puis redémarrez la pompe en appuyant sur le bouton RESET du connecteur GFCI ou faites fonctionner la pompe pendant la nuit, lorsque la température est basse. Si la pompe s'éteint à nouveau automatiquement, inspectez le rotor de la pompe en cas de saleté.

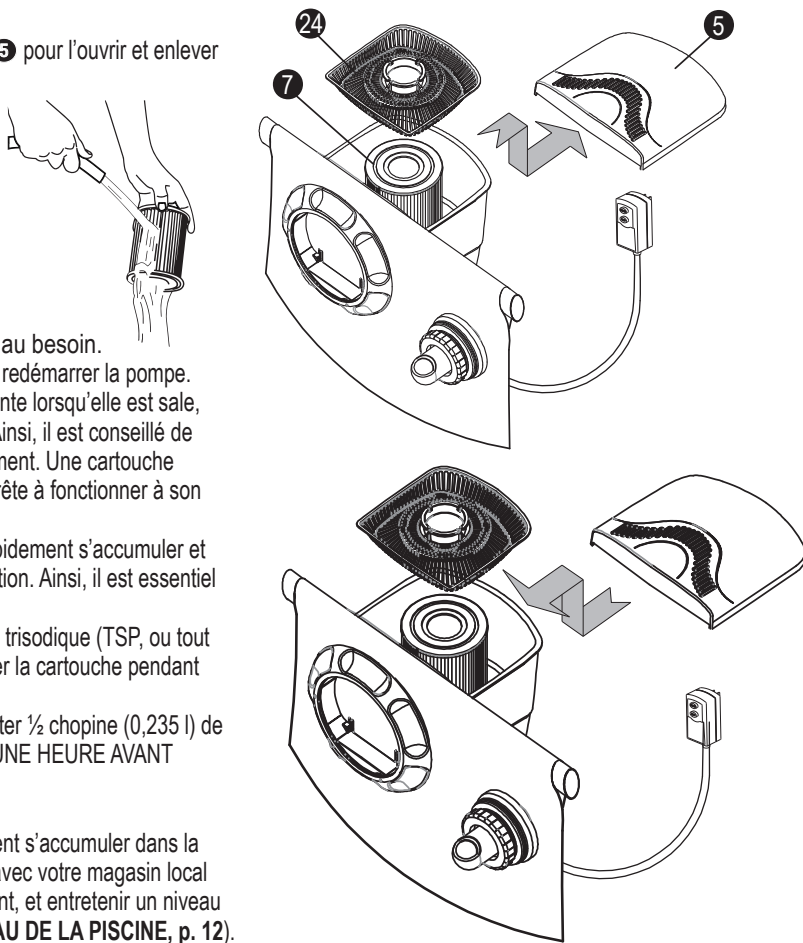
## ENTRETIEN DE LA POMPE

1. Vérifier quotidiennement le débit de sortie de la pompe de filtrage. Si le débit d'eau diminue, consultez le Symptôme 2 du **GUIDE DE DÉPANNAGE** (p. 17).
2. Vérifier la pompe de filtrage, les boyaux et les raccords pour la présence de fuites. Si vous détectez une fuite, consultez le symptôme no.4 dans le **GUIDE DE DÉPANNAGE**.
3. Il est essentiel de remplacer toute pièce endommagée dès que possible. N'utiliser que des pièces de rechange fournies par des concessionnaires approuvés et fiables, ou par **polygroupstore.com**
4. Régulièrement inspecter le filtre et tout médium de filtre pour s'assurer qu'il n'y a pas d'accumulation de débris qui empêche de la bonne filtration. Voir **UTILISATION ET ENTRETIEN DE LA CARTOUCHE FILTRANTE** ci-dessous.
5. Faites fonctionner la pompe pendant le nombre d'heure recommandé par jour. Si vous n'êtes pas certain des délais, veuillez voir Heures de fonctionnement de la pompe au site Web **support.polygroupstore.com**.

## UTILISATION ET ENTRETIEN DE LA CARTOUCHE FILTRANTE

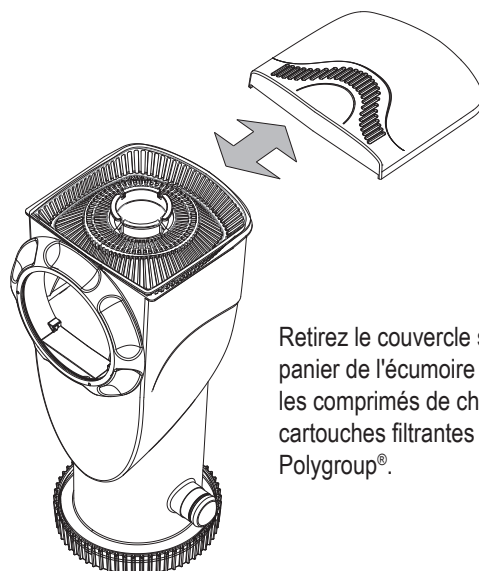
### 1. Pour nettoyer la cartouche filtrante 7 :

- a. Arrêter et débrancher la pompe. Glisser le couvercle supérieur 5 pour l'ouvrir et enlever le panier de protection pour crépine 24 et la cartouche filtrante.
  - b. Bien laver à la pression la cartouche (y compris entre les plis) à l'aide d'un tuyau d'arrosage pour enlever les gros morceaux de débris. Ensuite, laisser la cartouche sécher, et soigneusement enlever d'un coup de brosse les particules de poussière plus petites et fines. **NE PAS** nettoyer à la brosse les plis, ou la cartouche s'usera plus vite que prévu.
  - c. Pour que l'eau de la piscine reste propre, veuillez nettoyer la cartouche filtrante tous les jours et changez-la au besoin.
  - d. Remonter les pièces dans l'ordre inverse. Ensuite, vous pouvez redémarrer la pompe.
2. Il se peut que vous deviez nettoyer ou remplacer la cartouche filtrante lorsqu'elle est sale, ou avant que les bons niveaux de chlore et de pH soient atteints. Ainsi, il est conseillé de garder au moins une cartouche de rechange sur place en tout moment. Une cartouche propre et bien entretenue assure que votre pompe sera toujours prête à fonctionner à son efficacité maximale.
  3. Les laits solaires, les huiles pour le corps et les algues peuvent rapidement s'accumuler et boucher les plis de la cartouche, ce qui réduit l'efficacité de la filtration. Ainsi, il est essentiel d'enlever de tels films d'huile ou les algues.  
**Pour enlever les huiles** : mélanger 1 livre (0,45 kg) de phosphate trisodique (TSP, ou tout autre détergent puissant) et 5 gallons (18,9 l) d'eau, et faire tremper la cartouche pendant 12 heures.  
**Pour enlever les huiles et les algues** : comme ci-dessus, et ajouter ½ chopine (0,235 l) de chlore à piscine ou 1 chopine (0,47 l) d'eau de Javel à la solution **UNE HEURE AVANT** d'enlever la cartouche de la solution.  
 Bien rincer la cartouche avant de la réutiliser.
  4. Des dépôts excessifs de calcium ou de minéraux peuvent également s'accumuler dans la cartouche, et cela exige un traitement différent. Entrer en contact avec votre magasin local de fournitures de piscine et la consulter pour les solutions/traitement, et entretenir un niveau convenable de pH de l'eau de piscine (voir **TRAITEMENT DE L'EAU DE LA PISCINE**, p. 12).
  5. Jeter tout support de filtrage usagé conformément aux règlements/lois applicables.
  6. Toujours utiliser les cartouches filtrantes véritables Polygroup® Summer Waves®; elles sont disponibles auprès du détaillant où vous avez acheté votre piscine ou auprès de **polygroupstore.com**.



## ENTRETIEN DE L'EAU DE LA PISCINE

1. Les éléments suivants sont requis pour que votre piscine soit prête à être utilisée. Ils sont disponibles sur polygroupstore.com ou dans vos magasins de fournitures de piscine:
    - a. **Kit de test** - pour vérifier les niveaux de chlore et de pH de l'eau de la piscine
    - b. **Distributeur de chlore flottant (non inclus) et tablette de chlore** - pour la désinfection de l'eau et la prévention de la croissance des algues
    - c. **Produits chimiques de contrôle du pH** - pour ajuster le pH à la hausse (carbonate de sodium) ou à la baisse (acide)
    - d. **Algicide** - pour éliminer les algues
    - e. **Superchlorinator** - pour détruire (« choc ») le chlore, l'ammoniac, l'azote et les composés organiques combinés qui s'accumulent dans l'eau de la piscine avec le temps et une utilisation prolongée
    - f. **Filet à feuilles avec poignée** - pour enlever les feuilles, les déchets, les insectes, etc. de la piscine
  2. **IMPORTANT** : il est **ESSENTIEL** de maintenir les bons niveaux de chlore et de pH en tout temps :
    - a. Vérifier et ajuster les niveaux de pH et de chlore tous les jours. LE SEUL EMPLOI DE LA POMPE FILTRANTE N'EMPÊCHERA PAS LES ALGUES DE POUSSER DANS L'EAU DE LA PISCINE ; CELA N'EST ACCOMPLI QU'EN MAINTENANT LES BONS NIVEAUX DE CHLORE ET DE pH EN TOUT TEMPS.
    - b. **Niveau de pH conseillé** : entre 7,3 et 7,8
    - c. **Niveau de chlore conseillé** : entre 1,0 et 1,6 ppm
    - d. Il faut surchlorer votre piscine au moins une fois toutes les deux semaines
    - e. Un temps chaud ou une utilisation très fréquente de la piscine peuvent nécessiter le maintien de niveaux de pH et de chlore qui se trouvent parmi les valeurs supérieures de l'échelle, de même qu'une surchloration hebdomadaire.
    - f. L'emploi d'une bâche de piscine ou solaire aidera à maintenir les niveaux de pH et de chlore en réduisant l'évaporation de l'eau de la piscine.
    - g. **CAUTION** : Une forte concentration en chlore et un faible niveau de pH endommagera la piscine/la toile de la piscine. Vous devez suivre les consignes sur la quantité et l'emploi sécuritaire des produits chimiques de piscine que vous utilisez.  
**NE JAMAIS** laisser tomber des morceaux ou des pastilles de produits chimiques dans la piscine – faire ainsi peut présenter un danger pour les nageurs ou endommager la toile de votre piscine.
  3. Nettoyer votre piscine régulièrement à l'aide d'une trousse d'entretien avec aspirateur. Vous pouvez vous procurer la trousse de polygroupstore.com.
  4. L'emploi d'un bain de pied avant d'entrer dans la piscine aidera à garder la piscine propre.
  5. Éviter l'emploi de l'eau de puits. Si vous devez utiliser de l'eau de pluie, demandez toujours un avis professionnel de vos fournisseurs locaux de produits chimiques de piscine avant d'y mettre des produits chimiques.
  6. Renseignez-vous sur la capacité en eau (en gallons) de votre piscine en consultant le Guide d'utilisation de la piscine Il vous le faudra pour déterminer le montant nécessaire de produits chimiques, ou lorsque vous vous mettez en contact avec un expert en matière de fournitures de piscine pour les tests d'analyse de l'eau et des conseils sur l'utilisation sécuritaire des produits chimiques.
- Remarque** : Toujours suivre le mode d'emploi sur l'étiquette du fabricant des produits chimiques que vous choisissez d'utiliser.



Retirez le couvercle supérieur et le panier de l'écumoire pour insérer les comprimés de chlore dans les cartouches filtrantes brevetées de Polygroup®.

## DÉMONTAGE ET RANGEMENT DE LA POMPE

1. Arrêter la pompe, et la débrancher de la prise électrique.
2. Démontez les raccords de refoulement 11 - 20 :
  - a. Desserrer les colliers de serrage de tuyau 11, détacher le tuyau 12, et faire vider toute l'eau qui reste.
  - b. Enlever, nettoyer et sécher toutes les pièces. Généreusement lubrifier le joint pour buse de refoulement 17 avec de la gelée de pétrole. Ensuite, enclencher toutes les pièces ensemble dans l'ordre.

### 3. Démontez la pompe :

- Glisser le couvercle supérieur **5** pour l'ouvrir, enlever le panier de protection pour crépine **24**, la cartouche filtrante **7** et toute pastille de chlore encore à l'intérieur, et détacher le déversoir **8**. Nettoyer et sécher toutes les pièces, et généreusement lubrifier le joint d'étanchéité en caoutchouc de l'écumoire **25** avec de la gelée de pétrole. Ensuite, les remonter de nouveau sur le boîtier de l'écumoire **9**.
  - Enlever le bloc moteur **3** en tournant pour ouvrir l'écrou d'étanchéité du moteur **1**. Nettoyer et complètement sécher la pompe.  
Ensuite, voir **ÉTAPE 3 : Remontage/remplacement de la pompe (p. 15-16)** pour remonter le moteur dans le boîtier.
4. Ranger toutes les pièces dans un endroit sec dont la température reste supérieure à 32 °F (0 °C) en tout moment.

## INSTRUCTIONS D'ENTRETIEN DE LA POMPE

La manière la plus efficace de procéder au dépannage ou de remplacer la pompe est de démonter tout le système de filtration. Veuillez faire vider le niveau d'eau jusqu'à ce qu'il soit en dessous de l'ouverture de l'écumoire de la piscine, ensuite démonter le système conformément aux étapes ci-dessous.

### CAUTION :

- Il se peut que vous vous mouilliez.
- Veuillez soigneusement lire et suivre les instructions. La manutention incorrecte peut entraîner des dégâts qui aboutissent à des fuites entre le boîtier de l'écumoire **9** et la paroi de la piscine.
- RAPPELEZ-VOUS DE GARDER TOUTES LES PIÈCES DANS UN ENDROIT SÛR POUR LE REMONTAGE ULTÉRIEUR.**

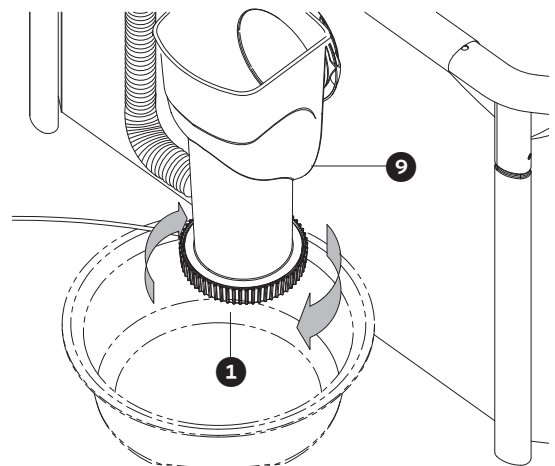
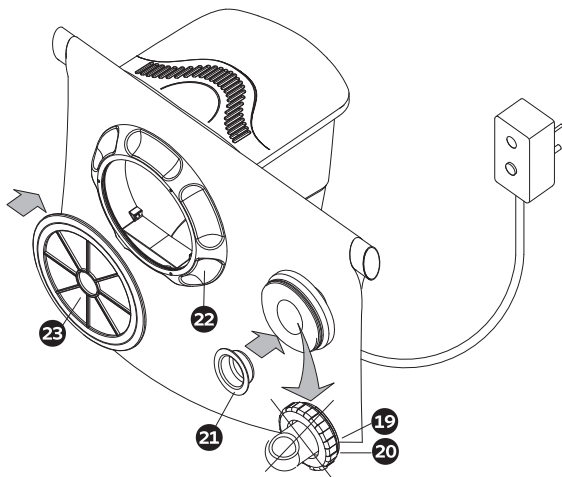
### ÉTAPE 1 : Enlèvement du bloc moteur **3**

- Arrêter la pompe, et la débrancher de la prise électrique.
- Faites glisser le couvercle du l'écumoire **5**, retirez le panier du filtre et la cartouche filtrante, ainsi que tous les comprimés de chlore qui restent à l'intérieur.
- Au niveau du raccord de refoulement **18** :
  - Dévisser et enlever l'écrou de serrage de buse de refoulement et le partiteur de raccord de refoulement. Ensuite, insérer le bouchon pour bloquer le débit d'eau.
  - Desserrer le collier de serrage de tuyau qui s'attache au coude à angle droit **13**. Soigneusement détacher le tuyau, et laisser l'eau vider du tuyau et du boîtier.  
Remarque : Vous pouvez également détacher l'autre bout de tuyau qui s'attache au boîtier, mais ce n'est pas obligatoire.
- Dévisser l'anneau d'étanchéité de l'écumoire **22** pour enlever tout le système de filtration de la piscine.
- Retourner le boîtier. Dévisser l'écrou d'étanchéité du moteur **1** et enlever le bloc moteur.

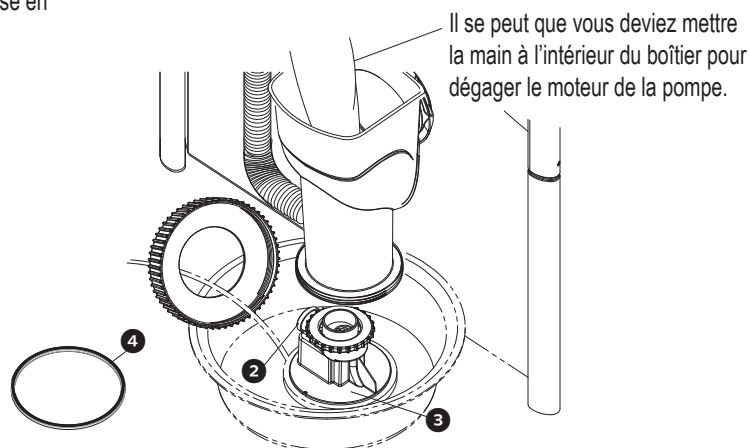
**SI VOUS PRÉFÉREZ QUE LE SYSTÈME RESTE ATTACHÉ À LA PISCINE, veuillez plutôt suivre le processus ci-dessous.**

**CAUTION :** Il vous faudra deux personnes pendant certaines étapes. La manutention incorrecte peut entraîner des dégâts qui aboutissent à des fuites entre le boîtier de l'écumoire **9** et la paroi de la piscine.

- Arrêter la pompe, ensuite la débrancher de la prise électrique.
- Bloquer le débit d'eau :
  - Dévisser et enlever l'écrou de serrage de buse de refoulement **20** et le partiteur de raccord de refoulement **19**. Ensuite, insérer le bouchon **21** pour bloquer le débit d'eau.
  - Pousser le bouchon d'évier **23** hermétiquement dans l'anneau d'étanchéité de l'écumoire **22**.
- Mettre un récipient à eau (pas inclus) sous l'écumoire pour recueillir l'eau. Glisser le couvercle supérieur **5** pour l'ouvrir, et enlever le panier de protection pour crépine **24** et la cartouche filtrante **7**.
- Faire qu'une personne tient le bouchon d'évier et le boîtier de l'écumoire **9**, tandis que l'autre personne dévisse l'écrou d'étanchéité du moteur **1**.  
**CAUTION : NE PAS POUSSER OU TIRER SUR LE BÔÎTIER** puisque faire ainsi pourrait entraîner des dégâts entre le boîtier et la toile de la piscine.



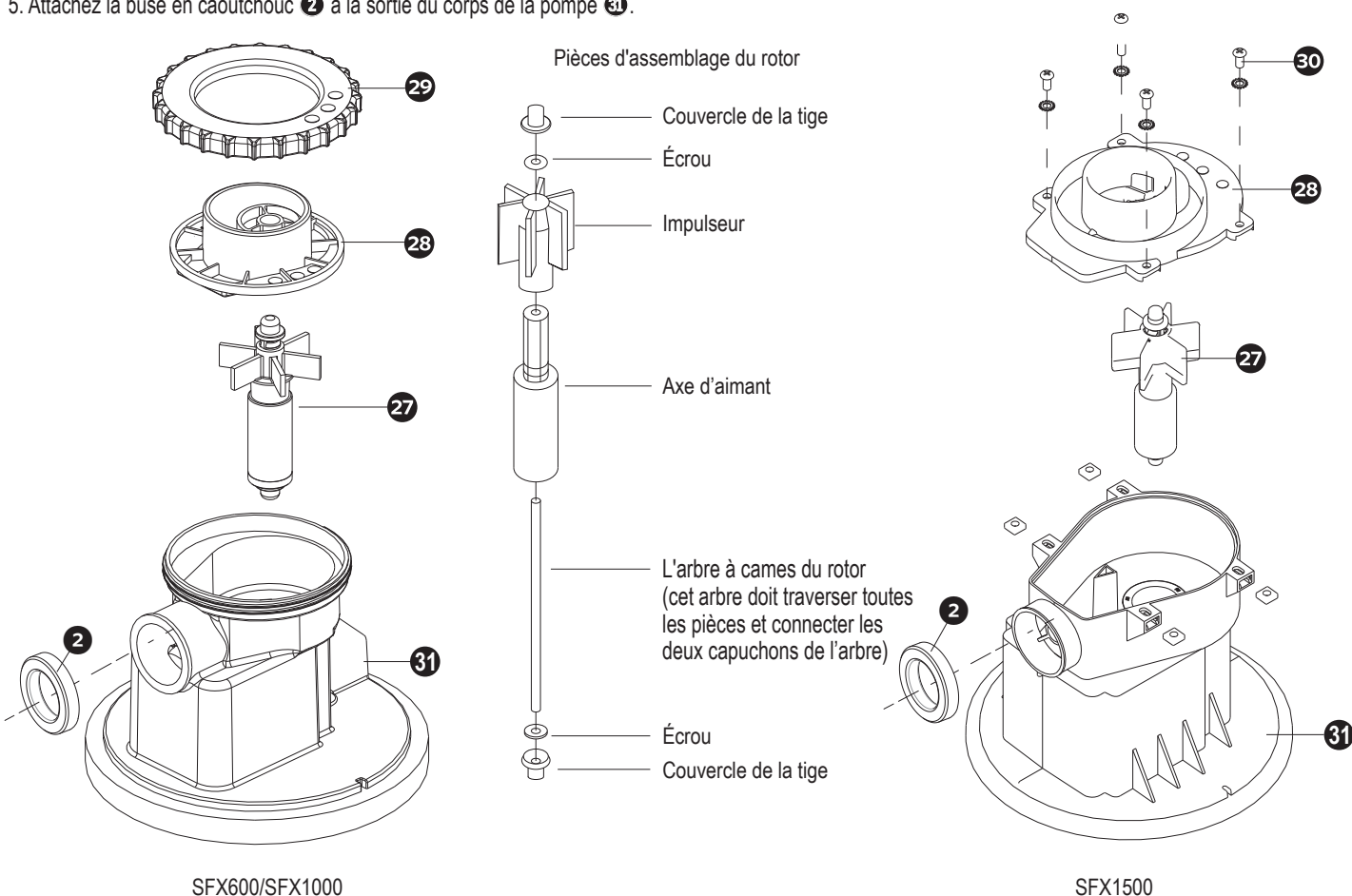
5. Lentement enlever le bloc moteur ❸. Veiller à ne pas perdre la buse en caoutchouc ❷ ou le joint du boîtier ❹.



## ÉTAPE 2 : Inspection/remplacement du rotor

La pompe ❸ comprend un bloc rotor ❷ et ses pièces liées. Si le rotor ou si une ou plusieurs de ses pièces sont cassées, ou si le rotor, même lorsqu'il est en parfait état, n'est pas emboîté en place entre le couvercle de la volute ❷ et le corps de pompe ❸, la pompe ne fonctionnera pas bien.

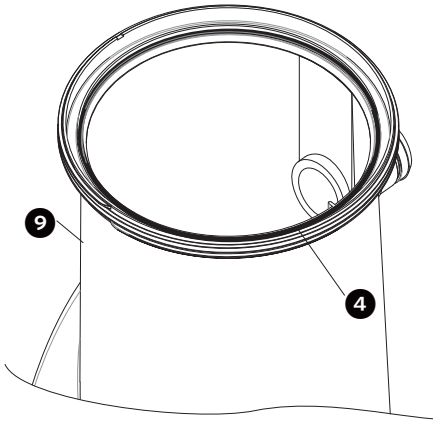
- Desserrer l'écrou de verrouillage du couvercle de volute ❷ ou les boulons du couvercle de volute ❸ (selon le modèle de la pompe), et enlever le couvercle de volute ❷.
- Retirer le bloc du rotor ❷ du corps de la pompe ❸.  
Inspecter le rotor (voir image ci-dessous) pour s'assurer que l'arbre du rotor, l'axe d'aimant, l'impulseur et les autres pièces sont intacts. Si l'un ou l'autre est cassé, vous pouvez acheter un nouveau bloc de rotor auprès de [polygroupstore.com](http://polygroupstore.com) sans devoir remplacer la pompe entière.  
Pour de plus amples détails, veuillez voir Soutien en matière de piscines – Dépannage du système de filtration au site [Web support.polygroupstore.com](http://Web.support.polygroupstore.com).
- Une fois l'inspection ou le remplacement terminés, soigneusement réinsérer le bloc du rotor ❷ dans le corps de la pompe ❸. La force de l'aimant tirera le rotor vers le bas et en place.
- Alignez le couvercle de la volute ❷ avec le bouchon supérieur de l'arbre, ensuite serrer avec l'écrou de verrouillage du couvercle de volute ❷ ou les boulons du couvercle de volute ❸ (selon le modèle de la pompe).
- Attachez la buse en caoutchouc ❷ à la sortie du corps de la pompe ❸.



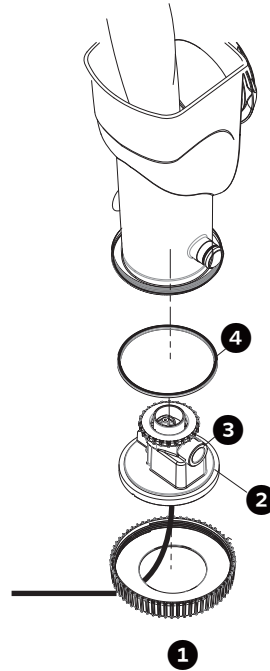


## ÉTAPE 3 : Remontage/remplacement de la pompe

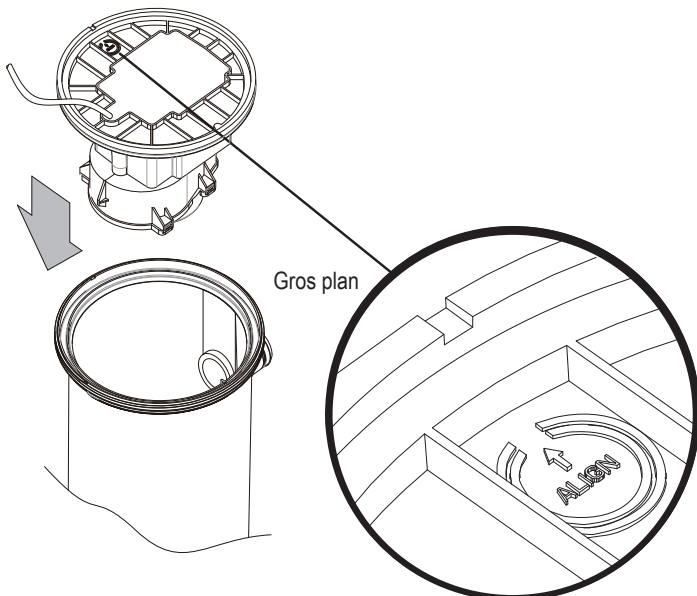
1. Lubrifier le joint du boîtier ④, ensuite le réinsérer dans la rainure (rainure intérieure pour SFX600/SFX1000) au pied du boîtier de l'écumoire ⑨.



**IMPORTANT : s'assurer que le cordon du bloc moteur ③ est placé à travers l'écrou d'étanchéité du moteur ① AVANT de remplacer la pompe.**



- 2a. Si votre pompe est enlevée de la piscine, lentement réinsérer le bloc moteur dans le boîtier à l'envers. Il y a une indentation à l'intérieur du boîtier (seulement visible à partir du fond), qui doit être alignée avec une indentation au pied du moteur (marquée « ALIGN »); pour ce faire, s'assurer que la flèche du repère « ALIGN » désigne l'indentation du boîtier.

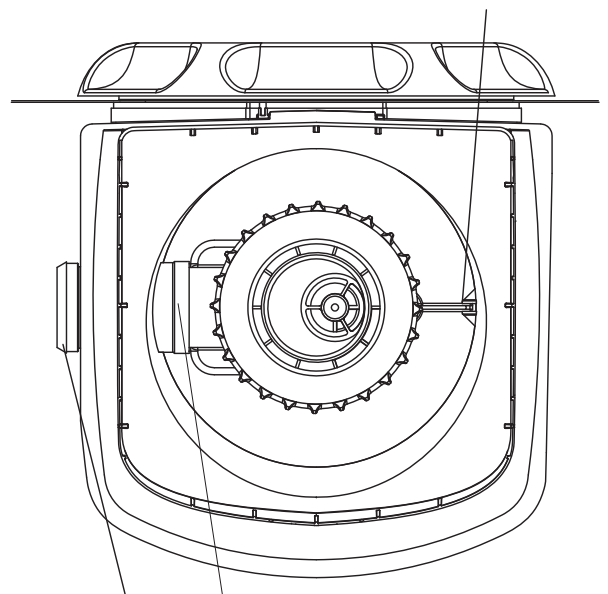


VUE D'EN-DESSOUS DE LA POMPE ET DU RÉCEPTACLE

- 2b. Si votre pompe demeure attachée à la piscine, plongez la main dans le réceptacle pour soulever le moteur et réintroduisez-le dans le réceptacle. Assurez-vous que la clé du réceptacle est ajustée avec l'encoche de la pompe pour aligner le bec de déversement en caoutchouc ② avec l'ouverture du tuyau du réceptacle, sinon la pompe risque de fuir, même si elle est déjà verrouillée.

S'assurer que la clavette du boîtier est encastrée dans la fente sur la pompe

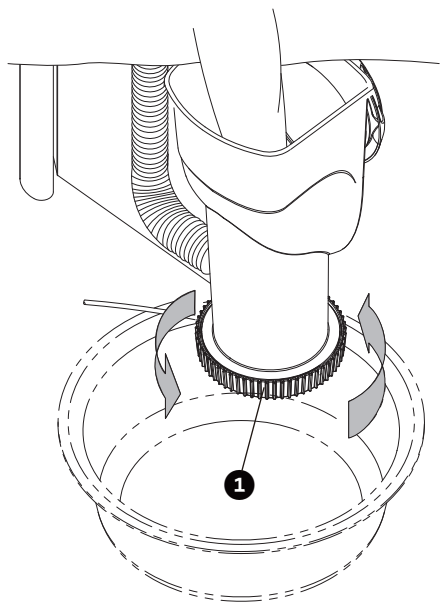
### VUE DU DESSUS



La sortie d'eau du réceptacle et le bec en caoutchouc ② de la pompe doivent être alignés.

3. Une fois que le moteur est bien aligné, assortir les filets de l'écrou d'étanchéité du moteur ❶ à ceux du boîtier, et serrer en tournant l'écrou dans le sens inverse des aiguilles d'une montre.

**IMPORTANT** : s'assurer que l'écrou et le boîtier ne sont pas faussés ; sinon des fuites peuvent avoir lieu.



## GUIDE DE DÉPANNAGE

**⚠ ATTENTION:** DÉBRANCHEZ LA POMPE FILTRANTE AVANT TOUTE TENTATIVE DE DÉPANNAGE.

Problème	Cause	Solution
1. Le moteur de la pompe ❸ ne démarre pas ou s'interrompt au démarrage	A La pompe n'est pas branchée	A Brancher l'ensemble de cordon d'alimentation GFCI ❷ à une prise de courant mise à la terre. Ensuite, appuyer sur le bouton RESET (« RÉINITIALISER ») pour démarrer la pompe.
	B L'ensemble de cordon d'alimentation GFCI ❷ ou le disjoncteur a déclenché	B Réenclencher votre disjoncteur sur le panneau électrique. Si le problème persiste, faire contrôler le circuit par un électricien qualifié.
	C Basse tension	C Vérifier et s'assurer que la tension de secteur est entre 105 VCA et 125 VCA.
2. Aucun débit ou un faible débit en provenance du raccord de refoulement ❶	A Un faible niveau d'eau dans la piscine	A Le niveau d'eau doit se situer entre les lignes MIN et MAX sur la bague d'étanchéité de l'écumoire ❷.
	B Entrée/sortie d'eau bouchée	B. Recherchez les obstructions au panier de l'écumoire ❷, à la cartouche filtrante ❸, au tuyau ❹ et au raccord de retour ❺.
	C La cartouche filtrante ❸ est trop sale	C Nettoyer ou remplacer la cartouche en suivant les étapes <b>D'UTILISATION ET ENTRETIEN DE LA CARTOUCHE FILTRANTE</b> (p. 11).
	D Rotor du moteur encrassé	D Se reporter aux instructions d'entretien de la pompe pour nettoyer la saleté.
3. La pompe ne nettoie pas bien la piscine, p. ex. de l'eau trouble/verte	A Niveau insuffisant de chlore	A Maintenir la concentration du chlore entre 1,0 et 1,6 ppm.
	B Niveau insuffisant de pH	B Maintenir le niveau de pH entre 7,3 et 7,8.
	C La cartouche filtrante ❸ est trop sale	C Nettoyer ou remplacer la cartouche en suivant les étapes <b>D'UTILISATION ET ENTRETIEN DE LA CARTOUCHE FILTRANTE</b> (p. 11).
	D La cartouche filtrante ❸ est endommagée	D Contrôler la cartouche pour la présence de trous ou de fissures. Si elle présente des dégâts visibles, la remplacer par une nouvelle.
	E Le débit d'eau est lent	E Recherchez les obstructions au panier de l'écumoire ❷, à la cartouche filtrante ❸, au tuyau ❹ et au raccord de retour ❺.
	F Autres produits chimiques requis	F Faire tester votre échantillon d'eau de piscine par un magasin de fournitures de piscine. Il se peut que vous deviez ajouter d'autres produits chimiques puisque la qualité de l'eau varie d'un emplacement à l'autre.
	G L'eau de la piscine est trop sale	G Des produits chimiques sont nécessaires pour maintenir la propreté de l'eau de la piscine. Nettoyez la piscine et filtrez l'eau plus souvent.
4. Fuite d'eau à	A Tuyau ❹ – Les connexions de tuyau avec le boîtier de l'écumoire ❸ ou le coude à angle droit ❺ ne sont pas solidement attachées.	A Vérifier que les colliers de serrage de tuyau ❶ sont bien serrés sur à la fois le tuyau et les joints toriques de connexion sur tuyau ❶; ajuster et resserrer si nécessaire. Vérifier également le tuyau pour la présence de fissures ou de trous et le remplacer au besoin.
	B Fond du boîtier ❸	B Voir <b>ÉTAPE 3 : Remontage/remplacement de la pompe, p. 15-16</b> : B1. Le joint de boîtier ❶ doit s'emboîter dans la rainure (rainure intérieure pour SFX600/SFX1000) sur le fond du boîtier avant d'installer la pompe. B2. Vérifier l'alignement de la pompe. La flèche de l'indentation de la pompe (marquée « ALIGN ») DOIT pointer à l'indentation du boîtier (seulement visible à partir du fond). B3. S'assurer que l'écrou d'étanchéité du moteur ❶ n'est pas faussé.
	C Entre le boîtier ❸ et la paroi de la piscine	C S'assurer que le joint d'étanchéité en caoutchouc de l'écumoire ❷ est bien installé. Voir <b>INSTRUCTIONS D'INSTALLATION (3) et (4), p. 9</b> : - Les deux clés du joint doivent être au sommet. - La toile de la piscine n'est pas prise dans les filets. - Pas d'écart entre le joint et le boîtier. - L'anneau d'étanchéité de l'écumoire ❷ est bien serré sur le boîtier.

## RENSEIGNEMENTS RELATIFS AUX COMMANDES DE PIÈCES DE RECHANGE

Clé	Description	SFX600	SFX1000	SFX1500
		PIÈCE #		
1	Écrou d'étanchéité du moteur	P58PP1954W05	P58PP1954W05	P58PP1954W05
		P58PP19548UN	P58PP19548UN	P58PP19548UN
		P58PP19547CN	P58PP19547CN	P58PP19547CN
2	Buse	P58182601K01	P58182601K01	P58185201K01
3	Moteur de la pompe	P58X0601C000	P58X1001C000	P58X1500C000
4	Joint du réceptacle / scellage du moteur	P58147800K01	P58147800K01	P58164800K01
5	Couvercle supérieur	P58PP1950W05	P58PP1950W05	P58PP1950W05
		P58PP19508UN	P58PP19508UN	P58PP19508UN
		P58PP19507CN	P58PP19507CN	P58PP19507CN
6	Mousse de barrage	P58SFX002W01	P58SFX002W01	P58SFX002W01
7	Cartouche filtrante de type D (SFX600 uniquement)	P581041037PR	--	--
	Cartouche filtrante de type A / C (SFX1000 et SFX1500)	--	P581041080PR	P581041080PR
8	Barrage	P58PP1956W05	P58PP1956W05	P58PP1956W05
		P58PP19568UN	P58PP19568UN	P58PP19568UN
		P58PP19567CN	P58PP19567CN	P58PP19567CN
9	Boîtier de l'écumoire	P58PP1984W05	P58PP1951W05	P58PP1983W05
		P58PP19848UN	P58PP19518UN	P58PP19838UN
		P58PP19847CN	P58PP19517CN	P58PP19837CN
10	Joint torique de connexion sur tuyau	P58030001K01	P58037000K01	P58037000K01
11	Collier de serrage de tuyau	P58220221W05	P58219221W05	P58219221W05
		P582202218UN	P582192218UN	P582192218UN
		P582202217CN	P582192217CN	P582192217CN
12	Tuyau de refoulement	P58125009W01	P58150012W01	P58150012W01
13	Coude à angle droit	P58PF1740W05	P58PF1700W05	P58PF1700W05
		P58PF17408UN	P58PF17008UN	P58PF17008UN
		P58PF17407CN	P58PF17007CN	P58PF17007CN
14	Écrou pour buse de refoulement	P58PF1690W05	P58PF1690W05	P58PF1690W05
		P58PF16908UN	P58PF16908UN	P58PF16908UN
		P58PF16907CN	P58PF16907CN	P58PF16907CN
15	Rondelle pour buse de refoulement	P58PF2960W05	P58PF2960W05	P58PF2960W05
		P58PF29608UN	P58PF29608UN	P58PF29608UN
		P58PF29607CN	P58PF29607CN	P58PF29607CN
16	Paroi de la piscine (Pour référence seulement)	--	--	--
17	Joint pour buse de refoulement (noir)	P58PF1730K01	P58PF1730K01	P58PF1730K01
18	Raccord de refoulement, fileté	P58PF1680W05	P58PF1680W05	P58PF1680W05
		P58PF16808UN	P58PF16808UN	P58PF16808UN
		P58PF16807CN	P58PF16807CN	P58PF16807CN
19	Partiteur de raccord de refoulement	P58PF1721W05	P58PF1721W05	P58PF1721W05
		P58PF17218UN	P58PF17218UN	P58PF17218UN
		P58PF17217CN	P58PF17217CN	P58PF17217CN
20	Écrou de serrage de buse de refoulement, fileté	P58PF1710W05	P58PF1710W05	P58PF1710W05
		P58PF17108UN	P58PF17108UN	P58PF17108UN
		P58PF17107CN	P58PF17107CN	P58PF17107CN
21	Bouchon	P58PF0620K01	P58PF0620K01	P58PF0620K01
22	Anneau d'étanchéité du skimmer	P58PP1953W05	P58PP1953W05	P58PP1953W05
		P58PP19538UN	P58PP19538UN	P58PP19538UN
		P58PP19537CN	P58PP19537CN	P58PP19537CN
23	Obturateur	P58PP2163K01	P58PP2163K01	P58PP2163K01
24	Corbeille à crépine SFX	P58PP1952P01	P58PP1952P01	P58PP1952P01
25	Joint en caoutchouc pour joint d'étanchéité	P58PP1957W05	P58PP1957W05	P58PP1957W05
27	Assemblage du rotor	P58050137001	P58050505001	P58050506001
28	Couvercle à volute	P58PF1009K01	P58PF1009K01	P58184501K01
29	Écrou de blocage de couvercle à volute (SFX600 et SFX1000)	P58PF1010K01	P58PF1010K01	--
30	Ensemble écrou et vis de couvercle à volute (SFX1500 seulement)	--	--	P5800400080A
*	Pour les pompes de filtration de séries SFX vendues séparément	P53FX0609W05	P53FX1009W05	P53FX1509W05
		P53FX06098UN	P53FX10098UN	P53FX15098UN
		P53FX06097CN	P53FX10097CN	P53FX15097CN